

WATERCARE®

Making water good for life.®



Installation Instructions & Owner's Manual

Ion Pro® and CareClear Pro® Series

Water Filters



For Models:

- IPHS
- IPFE
- IPG
- IPCG-AN
- CCP
- CCP-AN

TABLE OF CONTENTS

Pre-Installation Instructions for Dealers	3
Bypass Valve	4
Installation	5
Programming Procedures	8
Start-up Instructions	10
Operating Displays and Maintenance	11
Replacement Mineral Instructions for CCP Acid Neutralizers	13
Troubleshooting Guide	15
Replacement Parts	20
Installation Fitting Assemblies	26
Specifications	27
Warranty	29
Quick Reference Guide	30

YOUR WATER TEST

Hardness _____ gpg
Iron _____ ppm
pH _____ number
*Nitrates _____ ppm
Manganese _____ ppm
Sulphur _____ yes/no
Total Dissolved Solids _____

*Over 10 ppm may be harmful for human consumption.
Water conditioners do not remove nitrates or coliform bacteria,
this requires specialized equipment.

Look for our
WaterCare
instructional
videos on



PRODUCT INFORMATION

Installing Dealer must fill out this information prior to unit installation

MODEL NUMBER _____

SERIAL NUMBER _____

DEALER INFORMATION:

Your WaterCare water filter is a precision built, high quality product. These units will deliver filtered water for many years to come when installed and operated properly. Please study this manual carefully and understand the cautions and notes before installing. This manual should be kept for future reference. If you have any questions regarding your water filter, contact your local dealer.

PRE-INSTALLATION INSTRUCTIONS

The manufacturer has preset the water treatment unit's sequence of regeneration cycles and cycle times.

THE DEALER SHOULD...

- Read this page and guide the installer regarding day override and time of regeneration settings prior to installation.

THE INSTALLER SHOULD...

- Program installer settings including day override, time of regeneration, service alarm, and alarm buzzer.
- Read Operating Displays and Maintenance section.
- Set the time of day.
- Read Power Loss and Error Display section.
- Ensure that system and installation are in compliance with all state and local laws and regulations.

THE HOMEOWNER SHOULD...

- Read Programming Procedures section.
- Read Operating Displays and Maintenance section.

GENERAL OPERATING DISPLAYS & NAVIGATION

During normal operation, the default user displays are "time of day" and "gallons per minute". Flow rate, capacity remaining, days to a regeneration, and vacation mode are optional displays. For more explanation, consult the "operating displays and maintenance section". Pressing the **NEXT** button on a general operating screen will cycle through the available operating displays.

In any screen other than a general operating display, the **NEXT** button will proceed to the next step, the **REGEN** button will return to a previous step, and the **CLOCK** button will return to the general operating displays. Any changes made prior to the exit will be incorporated. If no buttons are pressed within five minutes, the display will return to the general operating displays.

DOUBLE REGENERATION

Two generations within 24 hours are possible with a return to the preset program. To initiate a double regeneration:

1. Press the **REGEN** button once. "REGEN TODAY" will flash on the display.
2. Press and hold the **REGEN** button for three seconds until a regeneration begins.

Once the valve has completed the immediate regeneration, the valve will regenerate once more during the preset time.

BYPASS VALVE

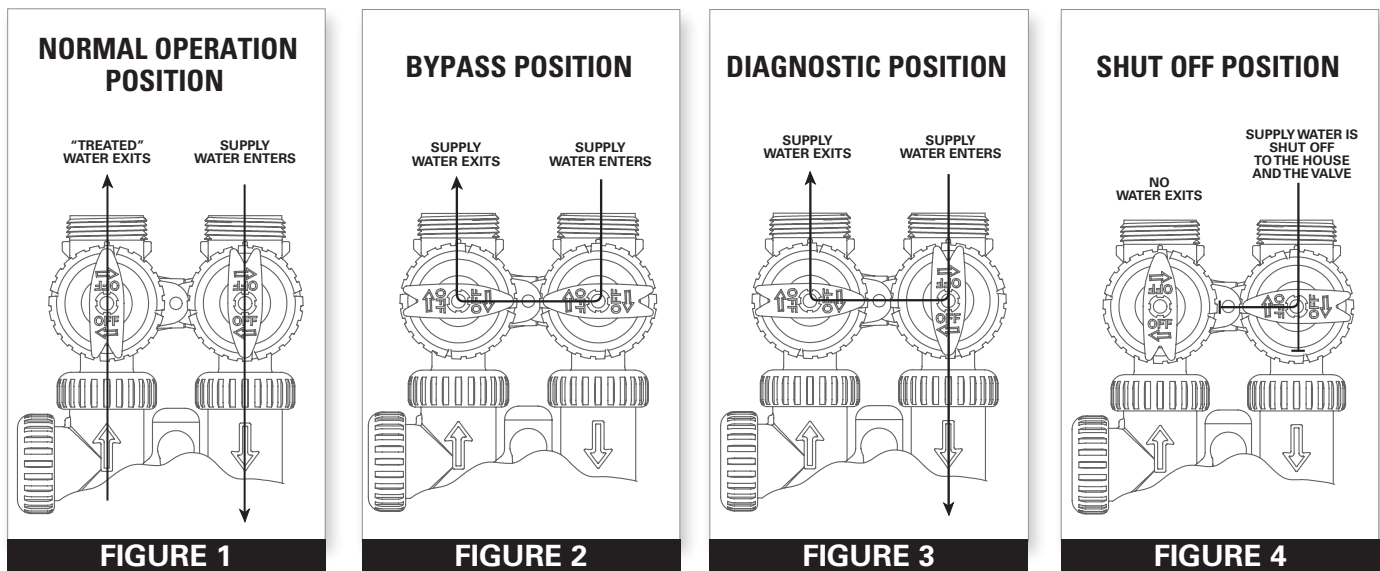
The bypass valve is typically used to isolate the control valve from the plumbing system's water pressure in order to perform control valve repairs or maintenance. The 1" full flow bypass valve incorporates four positions, including a diagnostic position that allows a service technician to have pressure to test a system while providing untreated bypass water to the building. Be sure to install bypass valve onto main control valve before beginning plumbing or make provisions in the plumbing system for a bypass. The bypass body and rotors are glass-filled Noryl® and the nuts and caps are glass-filled polypropylene. All seals are self-lubricating EPDM to help prevent valve seizing after long periods of non-use. Internal "O" Rings can easily be replaced if service is required.

The bypass consists of two interchangeable plug valves that are operated independently by red arrow shaped handles. The handles identify the direction of flow. The plug valves enable the bypass valve to operate in four positions.

- 1. NORMAL OPERATION POSITION:** The inlet and outlet handles point in the direction of flow indicated by the engraved arrows on the control valve. Water flows through the control valve for normal operation of a water softener or filter. During the regeneration cycle this position provides regeneration water to the unit, while also providing untreated water to the distribution system (**Fig. 1**).
- 2. BYPASS POSITION:** The inlet and outlet handles point to the center of the bypass. The system is isolated from the water pressure in the plumbing system. Untreated water is supplied to the building (**Fig. 2**).
- 3. DIAGNOSTIC POSITION:** The inlet handle points toward the control valve and the outlet handle points to the center of bypass valve. Untreated supply water is allowed to flow to the system and to the building, while not allowing water to exit from the system to the building (**Fig. 3**). This allows the service technician to test the unit and perform other functions without disrupting the water going to the building.

NOTE: The system must be rinsed before returning the bypass valve to the normal position.

- 4. SHUT OFF POSITION:** The inlet handle points to the center of the bypass valve and the outlet handle points away from the control valve. The water is shut off to the building. The water treatment system will depressurize upon opening a tap in the building. A negative pressure in the building combined with the unit being in regeneration could cause a siphoning to the building. If water is available on the outlet side of the unit, it is an indication of water bypassing the system (**Fig. 4**) (i.e. a plumbing cross-connection somewhere in the building).



INSTALLATION

GENERAL INSTALLATION & SERVICE WARNINGS

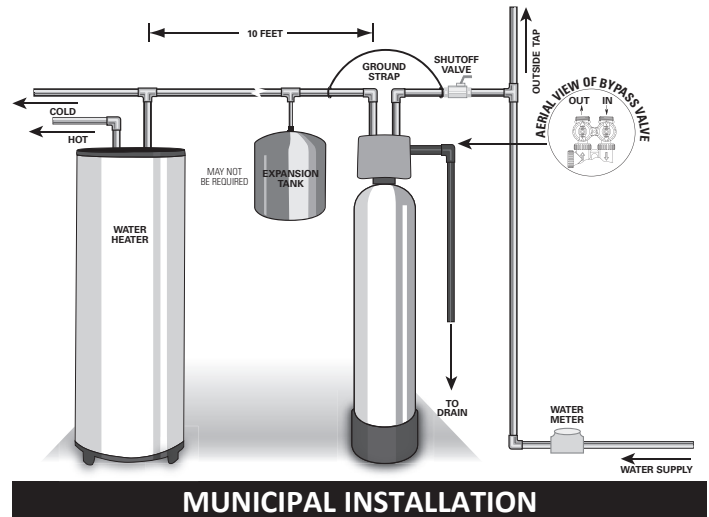
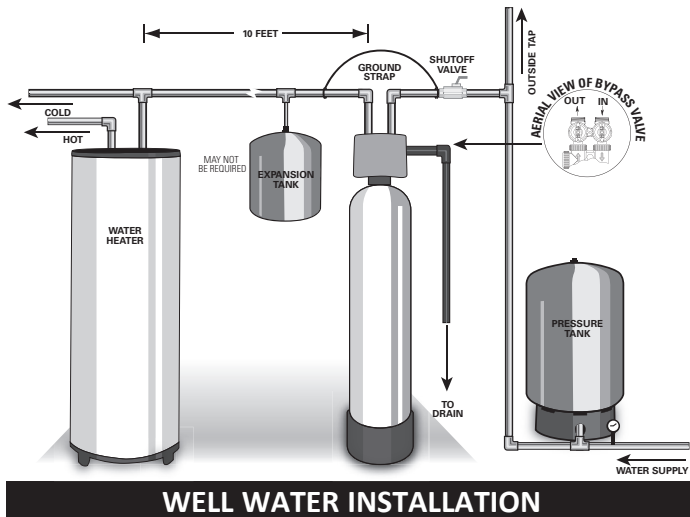
The control valve, fittings and/or bypass are designed to accommodate minor plumbing misalignments. There is a small amount of “give” to properly connect the piping, but the water treatment unit is not designed to support the weight of the plumbing.

Do not use Vaseline, oils, other hydrocarbon lubricants, or spray silicone anywhere. A silicone lubricant may be used on black “O” Rings, but is not necessary. **Avoid any type of lubricants, including silicone, on red or clear lip seals.**

Do not use pipe dope or other sealants on threads. Teflon® tape must be used on the threads of the 1” NPT inlet and outlet and on the threads for the drain line connection. Teflon® tape is not used on the nut connections or caps because “O” Ring seals are used. The nuts and caps are designed to be unscrewed or tightened by hand or with the special plastic Service Wrench, #100249864 (CV3193-02). If necessary, pliers can be used to unscrew the nut or cap. Do not use a pipe wrench to tighten nuts or caps. **Do not place screwdriver in slots on caps and/or tap with a hammer.**

SITE REQUIREMENTS

- Water pressure – 25-100 psi
- Water temperature – 33-100°F (0.5-37.7°C)
- Electrical – 115/120V, 60Hz uninterrupted outlet
- Current draw is 0.5 amperes
- The plug-in transformer is for dry locations only



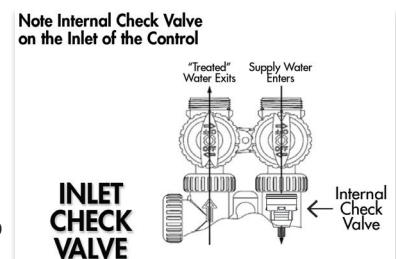
1. The distance between the drain and the water conditioner should be as short as possible (see #8).
2. The media tank should be installed on a firm, level surface (above or below grade).
3. It is NOT recommended to install any water treatment unit with less than 10 feet of piping between its outlet and the inlet of a water heater.

CAUTION: To protect the unit in the event of a hot water heater backup, the manufacturer recommends the use of an expansion tank on the outlet side of the unit (see diagram).

4. Do not locate unit where it or its connections (including the drain and overflow lines) will ever be subjected to temperatures under 33°F.
5. Do not subject the tank to any vacuum as this may cause an “implosion” and could result in leaking. If there is a possibility a vacuum could occur, please make provision for a vacuum breaker in the installation.
6. **INLET/OUTLET PLUMBING:** Be sure to install Bypass Valve onto main control valve before beginning plumbing. If it is desired to bypass outside hydrants, a cold water kitchen sink, or other locations, provisions should be made at this time. Install an inlet shutoff valve and plumb to the unit’s bypass valve inlet located at the right rear as you face the unit. There are a variety of installation fittings available. They are listed under the Installation Fitting Assemblies section of the manual. When assembling the installation fitting package (inlet and outlet), connect the fitting to the plumbing system first and then attach the nut, split ring and “O” Ring. Heat from soldering or solvent cements may damage the nut, split ring or “O” Ring. Solder joints should be cool and solvent cements should be set before installing the nut, split ring and “O” Ring. Avoid getting solder flux, primer, and solvent cement on any part of the “O” Rings, split rings, bypass valve or control valve. If the building’s electrical system is grounded to the plumbing, install a copper grounding strap from the inlet to the outlet pipe. Plumbing must be done in accordance with all applicable local codes.

When installing an air regenerating filter the customer may experience, under certain conditions, small amounts of air (cloudy water) at the taps. This is normal. On rare occasions, this may result in “shots of air” at a particular fixture. By installing a loop or “U” on the outlet side of the unit, this will act as an air trap and improve this situation.

An internal check valve is located inside the inlet on air filtration units (see diagram at right). This check valve holds the air in the system, preventing its escape from the tank. Plumbing codes may require the installation of a thermal expansion tank on the outlet side of the system to prevent a water heater backup condition.



INSTALLATION

Provisions should be made to bypass outside hydrants that are not to have filtered water. It is also advisable to install hose bibs on the inlet and outside of the filter for future testing and service of the equipment. Where heavy sediment from the well is observed, it is advisable to install a cartridge or bag-style filter immediately upstream from the filter. A nominal micron rating of 50 to 100 is recommended. The purpose of this is to protect the control valve of any debris from the well. If desired, a cartridge filter may be used after the system as a polishing filter.

7. **INSTALLING GROUND:** To maintain an electrical ground in metal plumbing of a home's cold water piping (such as a copper plumbing system), install a ground clamp or jumper wiring.

NOTE: If replacing an existing unit, also replace the ground clamps/wire. If removing a unit, replace the piping with the same type of piping as the original to assure plumbing integrity and grounding.

8. **DRAIN LINE:** First, be sure that the drain can handle the backwash rate of the system. Solder joints near the valve must be done prior to connecting the drain line flow control fitting. Leave at least 6" between the drain line flow control fitting and solder joints. Failure to do this could cause interior damage to the flow control.

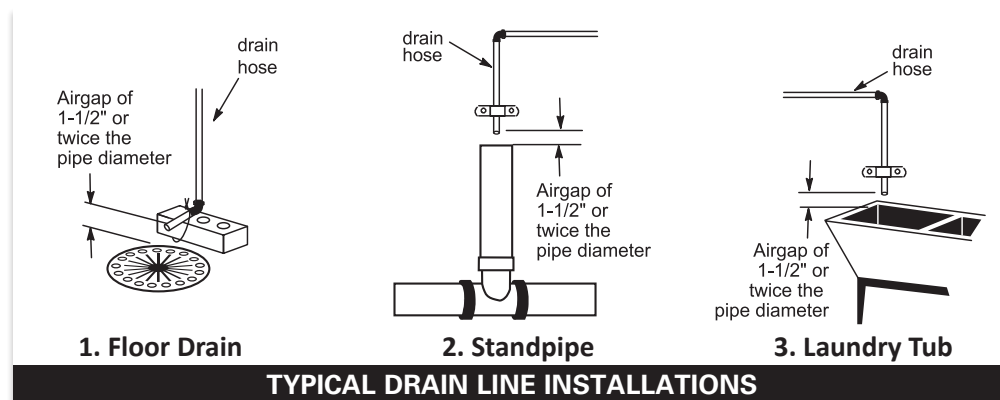
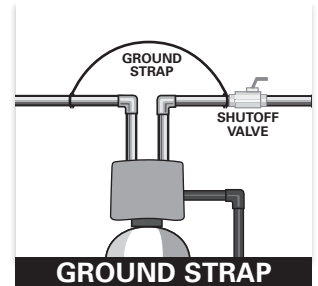
Backwash of an automatic filter can be directed into a septic tank in most cases, but because of the higher volume of water discharged, care should be taken. The backwash discharge can be directed to a subsurface drainage system or other safe location. Remember to follow all local codes.

When installing the drain line on any backwashing filter, especially filters that utilize air as the regenerant, hard piping such as PVC, Schedule 80 Plastic or copper is recommended. Remove the drain line nut (if included) and discard. A 3/4" NPT connection on the elbow is provided. **During backwash, high volumes of water (more than a softener) and air can be expelled. This release of air can cause a thrashing or movement of the drain line causing it to dislodge from the drain, resulting in water damage. In order to prevent this, it is recommended to use other means of securing the drain line to the floor, wall or ceiling to avoid this thrashing of piping.** Our patent pending Backwash Air cycle greatly reduces the chance of this occurring but should not be the only means of protection.

Where the drain line is elevated but empties into a drain below the level of the control valve, form a 7" loop at the discharge end of the line so that the bottom of the loop is level with the drain connection on the control valve. This will provide an adequate anti-siphon trap. Piping the drain line overhead <10 ft is normally not a problem. Be sure adequate pressure is available (40-60 psi is recommended). Where the drain empties into an overhead sewer line, a sink-type trap must be used. Run drain to its discharge point in accordance with plumbing codes. Pay special attention to codes for air gaps and anti-siphon devices.



CAUTION: Never insert a drain line into a drain, sewer line, or trap. Always allow an air gap of 1-1/2" or twice the pipe diameter, whichever is greater, between the drain line and the wastewater to prevent the possibility of sewage being back-siphoned into the unit.



INSTALLATION

9. **CHECK VALVE (AIR FILTRATION SYSTEMS ONLY):** All air systems include an internal check valve and screen assembly as part of the air draw system (see diagram at right). This check valve, screen, and elbow are exclusive to the air system and are not to be confused or interchanged with a brine elbow used on a softener. The gray color of the elbow indicates use with an air system vs. a black elbow which indicates use with a water softener.

NOTE: Under certain conditions (finished basements, utility room, etc.) it may be advisable to disconnect the screen and run a 3/8" line close to a drain, in case of check valve failure and water leakage.

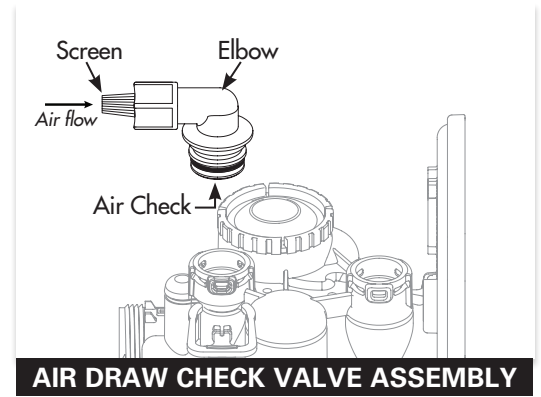


CAUTION: Check valve may be under pressure and can result in sudden release of part, causing injury.

In order to replace or remove the check valve from the control valve, it is necessary to relieve the pressure from the system. Place filter into by-pass mode (Fig. 2 Page 4) and release pressure by manually stepping through an entire regeneration sequence. This will adequately release the pressure on the system so the check valve can be serviced. After servicing, replace part, secure the check valve assembly with the red clip. Open by-pass to the normal service position (Fig. 1 Page 4).

10. **OZONE GENERATOR KIT (OPTIONAL):** In situations where additional cleaning is needed due to high levels of iron or sulfur bacteria, an optional Ozone Generator (part # 100349795, OZ-1-A) may be beneficial. This optional device produces ozone, a powerful cleaning agent which is used to help reduce service calls due to nuisance bacteria*. Please refer to the OZ-1-A Installation Instruction guide or consult with your local dealer or distributor for more information.

*Nuisance bacteria refers to iron and sulfate reducing bacteria which is harmless to human health. This bacteria can cause slime, taste, and odor issues.



PROGRAMMING PROCEDURES:

1. Set Time of Day

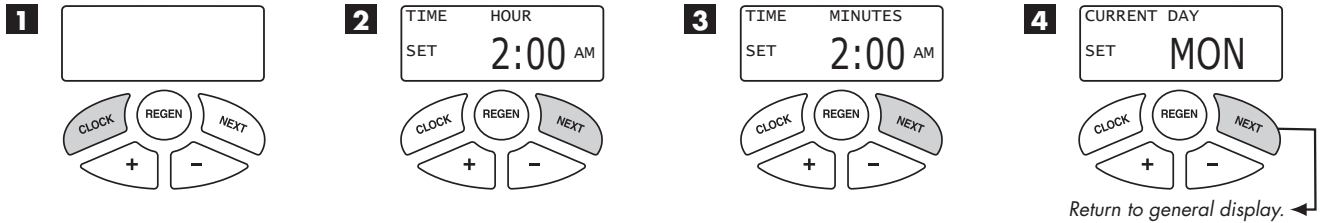
Typically, time of day should only need to be set after extended power outages or when daylight saving time begins or ends or after the battery has been replaced. If an extended power outage occurs, the time of day will flash on and off indicating that the time should be reset. To set the clock:

STEP 1 – Press the **CLOCK** button.

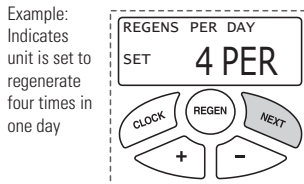
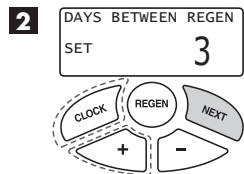
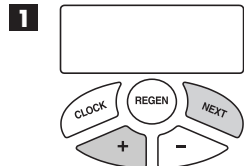
STEP 2 – Set the hour of the day using **+** or **-** buttons. AM/PM toggles after 12. Press **NEXT** to go to step 3.

STEP 3 – Set the minutes using **+** or **-** buttons. Press **NEXT** to go to step 4 or **REGEN** to return to previous step.

STEP 4 – Set the day of the week using **+** or **-** buttons. Press **NEXT** to exit clock setting or **REGEN** to return to previous step.



2. Programming



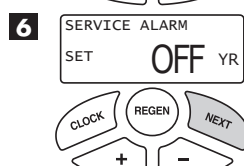
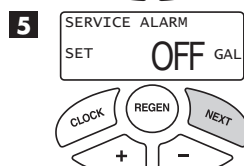
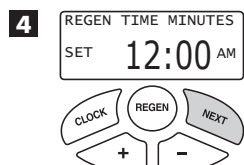
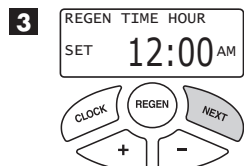
The manufacturer has preset the unit so that the gallons between regenerations will be automatically calculated after the hardness is entered. Press **NEXT** to cycle to the next step or **REGEN** to return to the previous step.

STEP 1 – Press and hold the **NEXT** and **+** buttons simultaneously for 3 seconds.

STEP 2 – DAYS BETWEEN REGENERATION (DAY OVERRIDE): Use the **+** or **-** buttons to adjust the day override. Adjustable from 1-28 days or OFF. The manufacturer has factory set 3 days or 1000 GALLONS as the default.

The Day Override value represents the maximum number of days between regenerations. If any number is set (1-28 days), a regeneration will be scheduled for that day if the gallon capacity has not been met. If OFF is set, the unit will only initiate a regeneration once the gallon capacity has been met.

Note: This valve has the capability of regenerating up to six times in one day. This can be set by pressing the **CLOCK** and **+** buttons simultaneously (on the **DAYS BETWEEN REGEN** screen). Use the **+** or **-** buttons to toggle the correct number of regenerations per day as desired (see example to right). Press **NEXT** to set the times per day or select "OFF" to return to Days Between Regen. These settings are typically used in commercial settings and should only be set by an authorized dealer.



STEP 3 – REGENERATION HOUR: Use the **+** or **-** buttons to adjust the time of day the unit will regenerate. AM/PM toggles after 12. The manufacturer has factory set 2:00 A.M. as the default setting which is recommended for a normal household.

STEP 4 – REGENERATION MINUTES: Use the **+** or **-** buttons to set minutes.

STEP 5 – SERVICE ALARM GALLONS: Use the **+** or **-** buttons to schedule a service alarm by gallons. Adjustable in 100 gallon increments or OFF. The manufacturer has factory set OFF as the default.

This feature is typically set by the installing dealer to warn the homeowner that service is required after a number of gallons have been consumed. If the feature is active, a specific gallon amount will appear. For more information regarding how to set service alarms, the installer should consult the master programming guide that corresponds to the unit being installed.

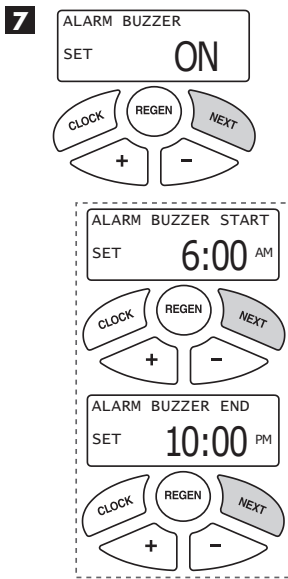
Press the **NEXT** button three times to advance to the next screen.

STEP 6 – SERVICE ALARM TIME: Use the **+** or **-** buttons to schedule a service alarm in years. Adjustable in .25 year increments or OFF. The manufacturer has factory set OFF as the default.

This feature is typically set by the installing dealer to warn the homeowner that service is required after an amount of time has passed. If the feature is active, a specific number of days will appear. For more information regarding how to set service alarms, the installer should consult the master programming guide that corresponds to the unit being installed.

Press the **NEXT** button three times to advance to the next screen.

PROGRAMMING PROCEDURES:



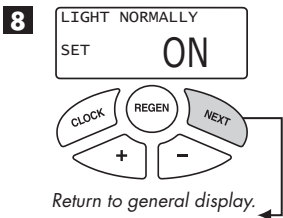
STEP 7 – ALARM BUZZER: Use the **+** or **-** buttons to turn the alarm ON or OFF. Unit is set to ON by default. Alarm will sound after a regeneration warning the owner of possible valve errors or other issues. This alarm is a short 0.5 second burst every 3 seconds. When alarm buzzer is set to ON, pressing the **NEXT** button proceeds to the Alarm Start Time screen. This feature allows the installer to choose a time when the owner will be home or awake to hear the alarm.

BUZZER START TIME: Press the **+** or **-** buttons to select the hour when the buzzer should begin sounding. AM/PM toggles after 12. Default setting is 6:00 a.m.

BUZZER STOP TIME: Press the **+** or **-** buttons to select the hour when the buzzer should stop sounding. AM/PM toggles after 12. Default setting is 10:00 p.m.

STEP 8 – BACKLIGHT DISPLAY CONTROL: Use the **+** or **-** buttons to turn the backlight setting ON or OFF. If unit is set to OFF, the backlight will turn off after 5 minutes of inactivity.

Press **NEXT** to return to General Display.



STARTUP INSTRUCTIONS

FLUSHING OF SYSTEM:

To flush the system of any debris and air after installation is complete, please perform the following steps:

1. Rotate bypass handles to the bypass mode (see Fig. 2 of page 4).
2. Turn on inlet water and check for leaks in the newly installed plumbing.
3. Fully open a cold water faucet, preferable at a laundry sink or bathtub without an aerator.
4. Wait two to three minutes or until water runs clear, then turn water off and follow start-up instructions.

System regeneration sequence is in the following order. Some sequence differences may be noticed depending upon local conditions. (If it is desired to change this sequence, please refer to the Dealer Manual or contact the manufacturer.)

Sequencing for Various Filters:

Air Filters (Iron & Sulfur)

1. Backwash Air
2. Backwash
3. Regenerant Draw Down (Air draw)
4. Return to service

Backwashing Filters (Carbon & Turbidex)

1. Backwash
2. Rinse
3. Backwash
4. Rinse
5. Return to service

Acid Neutralizers (Calcite & Corosex)

1. Backwash
2. *Brine Draw Down
3. Rinse
4. Backwash
5. *Brine Draw Down
6. Rinse
7. Return to Service

***Note:** The "Brine Draw Down" step is programmed as a pause in the regeneration cycle to let the media settle after backwash while keeping the unit bypassed.

Inch Worm Feature:

Air filter units are programmed with the backwash air cycle feature (nicknamed "inch worm"). This unique feature allows for small movements or "inching" of the piston towards the backwash cycle. As the piston approaches this cycle, the backwash port opens slightly with each advancement, allowing air to escape to drain. This cycle is twelve very small mini steps of the piston which take place twenty seconds apart. Usually midway between the twelve positions, the air begins to be released very slowly to the drain in normal operating conditions.

When first starting up an air sulfur or air iron, it is advised to step through these positions and go to the normal backwash cycle in order to fill the unit.

To Advance in Backwash Air Cycle:

1. Pushing the **NEXT** button will advance to each of the twelve mini steps within the backwash air cycle. While there are usually twelve steps to this cycle, the valve may make two or three movements for each step. Wait for these movements to complete before pressing **NEXT** again.
2. Pushing and holding the **REGEN** button for three seconds while in the Backwash Air cycle will skip the remaining mini steps and proceed to the next cycle of regeneration which is usually Backwash.

The system is now ready for filling with water and for testing for Air Filters.

NOTE: The "filling" sequence below represents the start-up procedure for Air Filters.

Please reference "Sequence for Various Filters" for proper regeneration sequence (shown above).

1. Place the bypass valve into the bypass mode (Fig. 2 on page 4).
2. Press and hold the **REGEN** button until the motor starts. Release button. Put the valve into "BACKWASH" position. (Please see note above.) Unplug the transformer so that the valve will not cycle to the next position. Open the inlet handle of the bypass valve very slightly allowing water to fill the tank slowly in order to expel air.



CAUTION: If water flows too rapidly, there will be a loss of media to the drain.

Certain medias such as carbon, or other dry medias, should not be backwashed immediately for extended periods of time. These medias need to "soak" in the water for a 24-hour period prior to full backwash conditions.

Dry media exposed to water too quickly in backwash will result in media plugging the drain and valve assembly.

3. After the water is flowing steadily to the drain, clear and without the presence of air, slowly open the inlet valve. Restore power and momentarily press the **REGEN** button to advance the control to the "REGENERANT DRAW DOWN" position.
4. With the bypass still in the diagnostic mode (Fig. 3 on page 4), there should be a slow flow to the drain.
5. Press **REGEN** button in sequence until display returns to "TIME." Place bypass valve in the normal operating mode (Fig. 1 on page 4) by opening the outlet bypass handle.

6. CONDITIONING OF MEDIA:

To flush any remaining debris and air from the system again:

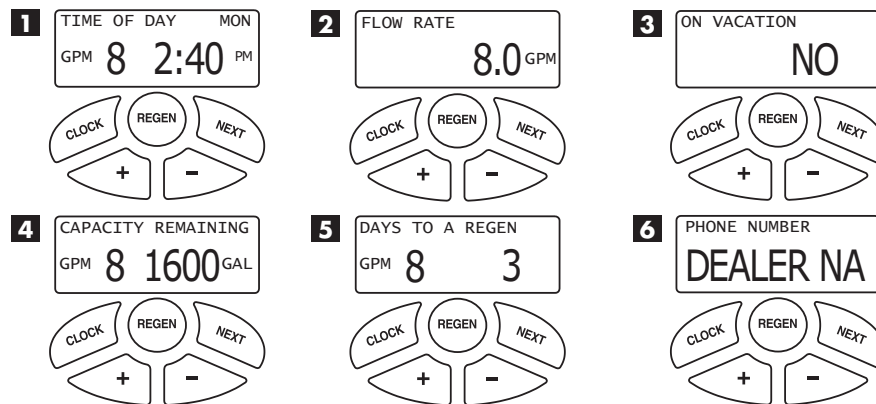
1. Full open a cold water faucet, preferably at a laundry sink or bathtub without an aerator.
 2. Wait two to three minutes or until water runs clear, then turn water off.
 3. Turn on hot water and check for air, then turn water off after air is discharged.
7. Place unit into regeneration and allow to complete a full cycle. Upon completion, unit will deliver treated water.

OPERATING DISPLAYS AND MAINTENANCE

The air sulfur and air iron filter systems look and function much like any backwashing whole house filter; however, unlike these conventional filters, they use air as a regenerant. This atmospheric air (containing oxygen) helps convert iron or hydrogen sulfide into particles. These filters capture the particles of iron or hydrogen sulfide gas within the filter media. Your dealer has recommended the proper media depending on your local water conditions. In some cases where an acidic water condition (low pH) is present, the media may need to be periodically replenished if using this filter to raise the pH to an acceptable level. Consult dealer for this service. The system is pre-factory set to regenerate every (3) three days at midnight. The frequency and start time of backwash/regeneration is adjustable to meet local operating conditions and contaminant levels. Total backwash and recharge time may vary between one half hour to one hour and fifteen minutes depending on the unit configuration

1. GENERAL OPERATION: When the system is operating, one of six displays may be shown and will alternate with the installing dealer's name and phone number for future service. Pressing **NEXT** will alternate between the displays.

1. **Time of Day Screen:** Displays the current time of day, the day of the week, and flow rate.
2. **Flow Rate Screen:** Displays the current treated water flow rate through the system in Gallons Per Minute.
3. **Vacation Mode Screen:** Allows the system to be "shut down" when there will be no water usage for an extended period of time.
4. **Capacity Remaining Screen:** Displays the amount of gallons of treated water remaining until the system triggers a regeneration.
5. **Days to a Regen Screen:** Displays the number of days until the system triggers a regeneration. Based on the days override value.
6. **Dealer Name Screen:** Displays dealer specific name and phone number. This scrolling display will only appear if set by the dealer.



If the system has called for a regeneration that will occur at the preset time of regeneration, the words "REGEN TODAY" will appear on the display. If a water meter is installed, "GPM" flashes on the display when water is being treated, indicating gallons per minute flowing through the system.

2. VACATION MODE: This feature may be used to "shut down" the system for a period of time by preventing the unit from regenerating. The manufacturer has factory set "OFF" as the default. Turn feature "OFF" or "ON" using the **+** or **-** buttons. When turned "ON", the unit will remain in Vacation Mode until it is exited. There are two ways that a unit can exit Vacation Mode:

Manually: The user may manually exit Vacation Mode by changing the setting from "ON" to "OFF". Once switched off, a delayed regeneration will queue for that night. Vacation mode may also be manually exited by holding the REGEN button to force an immediate regeneration.

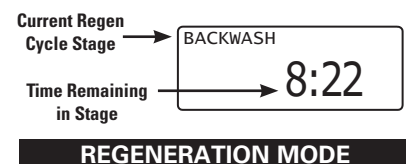
Automatically: The unit will automatically exit Vacation Mode once water usage has resumed. After fifty gallons of water is used, the unit will set to resume normal operation and a delayed regeneration will queue for that night.

NOTE: In some instances, if a regeneration has been queued and the unit is taken out of Vacation Mode (manually or automatically), the unit will trigger an immediate regeneration instead of a delayed regeneration. For example, if the unit's maximum Days Between Regeneration is reached while the unit is in Vacation Mode, an immediate regeneration will trigger as soon as the unit is taken out of Vacation Mode.



CAUTION: Depending on the severity of water conditions and the length of no water usage, it may not be recommended to use this feature. Please contact dealer or manufacturer for more information.

3. REGENERATION MODE: Typically, a system is set to regenerate at a time of no water usage. If there is a demand for water when the system is regenerating, untreated water will be delivered. When the system begins to regenerate, the display will include information about the step of the regeneration process and the time remaining for that step to be completed. The system runs through the steps automatically and will reset itself to provide treated water when the regeneration has been completed.



OPERATING DISPLAYS AND MAINTENANCE

4. MANUAL REGENERATION: Sometimes there may be a need to regenerate a unit before the control valve calls for it. This may be needed if a period of heavy water use is anticipated.

- To initiate a manual regeneration at the next preset regeneration time, press and release the **REGEN** button. The words "REGEN TODAY" will flash on the display to indicate that the system will regenerate at the scheduled regeneration time (see the Programming Procedures section). If you pressed the **REGEN** button in error, pressing and releasing the button again will cancel the command.
- To initiate a manual regeneration immediately, press and hold the **REGEN** button for three seconds. The system will begin to regenerate immediately. **This command cannot be canceled.**

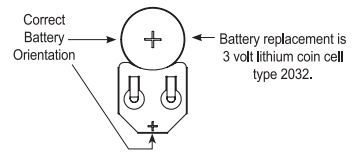
REGEN TODAY and TIME OF DAY will flash alternately if a regeneration is expected tonight.

REGEN TODAY MON
GPM 8 2:40 PM

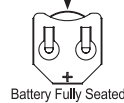
MANUAL REGEN

Once a manual regeneration is initiated, the unit will enter the first regeneration cycle position. Once the unit advances to its first position and subsequent positions thereafter, (see Start Up Instructions for regeneration sequence) the water filter will deliver water, but it will be untreated.

5. POWER LOSS AND BATTERY REPLACEMENT: If an extended power outage occurs, the control valve will retain the time of day settings until the board's battery is depleted. Once the battery is depleted, the display will appear dark and absent of any information. If this occurs, following these steps will determine if the problem is a low battery or a board failure.



When replacing the battery, align positives and push down to fully seat.



BATTERY REPLACEMENT

To determine if the battery is depleted:

1. Remove valve cover. Disconnect power from PC Board at the four pin connector at the bottom of the board.
2. Wait five minutes for board to de-energize. Remove battery with a non-conductive/non-metallic material. Reference the Parts Breakdown section of this manual for location.
3. Wait five minutes for board to de-energize.
4. With the battery out, re-connect the power supply to the board. The board's display should begin to show information.

This indicates that the board is operating correctly. If the display does not work, call installing dealer for service.

5. To replace with new battery, unplug transformer from outlet. Install a 3 volt Lithium Coin Cell type 2032 battery, available at most stores. Plug unit back into outlet.

It is important to replace the battery with the valve unplugged to avoid causing a short and potentially ruining the board.

6. Reset the time of day (see programming procedures) and initiate regeneration (see operating displays and maintenance).

If these procedures do not remedy the problem, please consult the installing dealer for service.

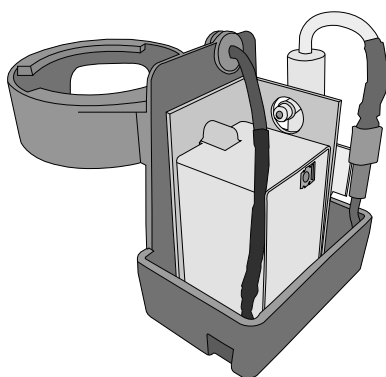
6. AUDIBLE ALARM: This control valve is equipped with an audible alarm and visual alarm. This alarm is set by the installing dealer and is used to warn the owner of possible valve errors or other issues.

To turn off alarm: If the audible alarm sounds, press any button on the face of the control valve to turn off and call the dealer for service.

7. ERROR MESSAGE: If the word "ERROR" appears and flashes alternately with the dealer name and phone number, record the ERROR number and contact your servicing dealer promptly. This indicates that the control valve was not able to function properly.

CALL FOR SERVICE
ERROR 106

ERROR SCREEN



OZONE GENERATOR

8. OZONE GENERATOR AND MAINTENANCE (OPTIONAL FEATURE): In severe cases where nuisance bacteria* conditions exist, the dealer may have installed an ozone generator (Part # 100349795, OZ1-A). While these bacteria are harmless to human health, they can produce a slime and occasionally a taste and odor problem that can be a "nuisance". The ozone generator produces a controlled amount of ozone which is introduced to the tank during the regeneration cycle. This ozone will reduce the slime build up that can occur within the system and also reduce the associated taste and odors.

The ozone generator is a serviceable item. For optimal performance, yearly replacement of the ozone check valve and injector is necessary. Over time, ozone generator cells become clogged with debris, lose their capability, and require replacement. When an ozone generator fails due to the need of cell replacement, it will trigger an alarm in the system. A "Service Ozone" indicator will appear on the screen of the valve controller which signals that a cell needs replacement or a potentiometer adjustment.

SERVICE OZONE

SERVICE OZONE SCREEN

This maintenance should be performed by the servicing dealer. Contact dealer for more information.

*Nuisance bacteria refers to iron and sulfate reducing bacteria which is harmless to human health, however can cause slime, and taste and odor issues.

REPLACEMENT MINERAL INSTRUCTIONS FOR ACID NEUTRALIZERS

Acid Neutralizers raise the pH of mildly acidic water. The raising of pH utilizes a sacrificial mineral that will need replenishment every 6 to 12 months. Typically the media should not be below the halfway point in the tank. In order to check the mineral height and before adding mineral to the system, please follow these instructions.

For Automatic Backwash Filters With Dome Hole

1. Check the media height by shining a flashlight through the tank to see the height of the mineral. If the level is not visible, the top fill plug will have to be removed (if available) to measure the height. The media tank should only be two-thirds full (see diagram). Proceed to step 2.
2. To remove top fill plug, turn off the source of the water and open a conditioned water tap to relieve the water pressure on the system. Place unit into the bypass mode. Unscrew the top fill plug.



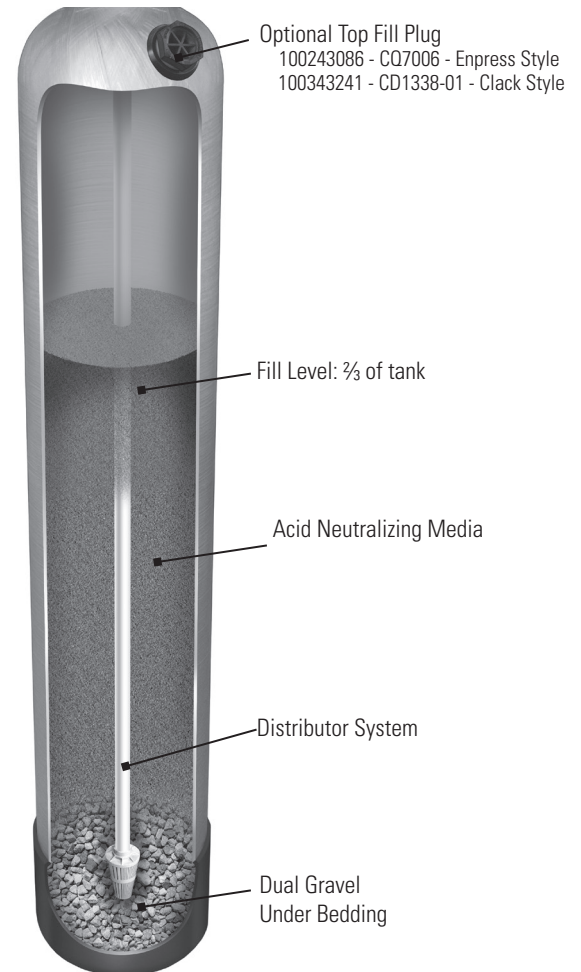
Caution: Never unscrew top fill plug unless pressure is fully released from system. Serious injury and/or flooding can occur.

3. Siphon out some water from the tank through the dome hole. This will allow room when adding the media.
4. Add the appropriate amount of replacement media through the dome hole (top fill plug). Make sure you add the correct amount and type of media (calcite or calcite/corosex mix). If needed, siphon out more water as the media will displace the water inside the tank. Pay close attention to media level when filling (see diagram).

Do not overfill. The additional media added should not be higher than two-thirds of the tank height when measuring from the bottom (see diagram). Once the right height has been achieved, replace top fill plug. Grease "O" ring if necessary using only silicone grease.

Do not use petroleum based grease such as Vaseline. Tighten appropriately.

5. Leaving controller in the bypass position, turn on water source and refer to the start-up instructions of the controller and complete the procedure.
6. Once start up is complete, please check the top fill plug for any leaking.



REPLACEMENT MINERAL INSTRUCTIONS FOR ACID NEUTRALIZERS

For Acid Neutralizers With the 100245769 (CD1400) In/Out Head Without an Optional Fill Plug

1. Check the media height by shining a flashlight through the tank to see the height of the mineral. To more clearly check the level of mineral and to fill the tank, the 100245769 (CD1400) In/Out head will need to be removed.
2. Before removing the head, turn off the water source, open a conditioned water tap to relieve the water pressure, and then place the unit into bypass mode (see Fig. 2 on page 4).



Caution: Never unscrew in/out head unless pressure is fully released from system. Serious injury and/or flooding can occur.

3. Unscrew the In/Out head from the tank, disconnecting it from the bypass.
4. Measure media height with ruler.
5. Add appropriate amount of media (calcite or calcite/corosex mix) to no higher than 2/3rds of the tank full. It may be necessary to siphon out water from the tank as the media will displace it. Take caution to ensure that no media enters the distributor tube when filling.
6. Re-attach the In/Out Head onto the tank. Apply grease to the O-rings that seal the tank and the distributor. Only use silicone grease. Never use petroleum based grease such as Vaseline.
7. Re-attach the bypass to the controller.
8. With the controller in the bypass position, open the water source.
9. Open the bypass valve to the normal operating position (see page 4). Inspect valve for any leaks.
10. Open a conditioned water tap and flush until clear.

For Acid Neutralizers With the 100245758 (CD1220) In/Out Head With Fill Port

1. Check the media height by shining a flashlight through the tank to see the height of the mineral. To more clearly check the level of mineral and to fill the tank, the 100245758 (CD1220) In/Out head top plate will need to be removed.
2. Before removing the top plate turn off the water source, open a conditioned water tap to relieve the water pressure, and then place the unit into bypass mode (see Fig. 2 on page 4).



Caution: Never unscrew in/out head unless pressure is fully released from system. Serious injury and/or flooding can occur.

3. Unscrew the In/Out top plate head from the controller. Remove the top screen located in the controller.
4. Measure media height with ruler.
5. Add appropriate amount of media (calcite or calcite/corosex mix) to no higher than 2/3rds of the tank full through the in/out fill port. It may be necessary to siphon out water from the tank as the media will displace it. Take caution to ensure that no media enters the distributor tube when filling.
6. Replace the screen. Re-attach the In/Out top plate. Apply grease to the O-rings that seals the top plate to the head. Only use silicone grease. Never use petroleum based grease such as Vaseline.
7. With the controller in the bypass position, open the water source.
8. Open the bypass valve to the normal operating position (see page 4). Inspect valve for any leaks.
9. Open a conditioned water tap and flush until clear.



CD1400 In/Out Head



CD1220-01 In/Out Head

TROUBLESHOOTING GUIDE

PROBLEM	CAUSE	CORRECTION
1. No display on PC board.	A. Depleted battery.	A. See Operating Display and Maintenance section.
	B. Control valve power adapter not plugged into outlet or power cord end not connected to PC board connection.	B. Plug power adapter into outlet or connect power cord end to PC board connection.
	C. Improper power supply.	C. Verify proper voltage is being delivered to PC board.
	D. Defective power adapter.	D. Replace power adapter.
	E. Defective PC board.	E. Replace PC board.
	F. No power at electric outlet.	F. Repair outlet or use working outlet.
2. PC board does not display correct time of day.	A. Power adapter plugged into electric outlet controlled by light switch.	A. Use uninterrupted outlet.
	B. Tripped breaker switch and/or tripped GFI.	B. Reset breaker switch and/or GFI switch.
	C. Power outage.	C. Reset time of day. If PC board has battery back up present the battery may be depleted. See front cover and drive assembly drawing for instructions.
	D. Defective PC board.	D. Replace PC board.
3. Display does not indicate that water is flowing. Refer to user instructions for how the display indicates water is flowing.	A. Bypass valve in bypass position.	A. Turn bypass handles to place bypass in service position.
	B. Meter is not connected to meter connection on PC board.	B. Connect meter to three pin connection labeled METER on PC board.
	C. Restricted/stalled meter turbine.	C. Remove meter and check for rotation or foreign material.
	D. Meter wire not installed securely into three pin connector.	D. Verify meter cable wires are installed securely into three pin connector labeled METER.
	E. Defective meter.	E. Replace meter.
	F. Defective PC board.	F. Replace PC board.
4. Control valve regenerates at wrong time of day.	A. Power outage.	A. Reset time of day. If PC board has battery back up present the battery may be depleted. See front cover and drive assembly drawing for instructions.
	B. Time of day not set correctly.	B. Reset to correct time of day.
	C. Time of regeneration set incorrectly.	C. Reset regeneration time.
	D. Control valve set at immediate regeneration.	D. Check programming setting and reset to DELAYED (for a delayed regen time).
5. Time of day flashes on and off.	A. Power outage.	A. Reset time of day. If PC board has battery back up present the battery may be depleted. See front cover and drive assembly drawing for instructions.
6. Control valve does not regenerate automatically when the correct button(s) is pressed and held. For timeclock valves the buttons are + or -. For all other valves the button is REGEN.	A. Broken drive gear or drive cap assembly.	A. Replace drive gear or drive cap assembly.
	B. Broken piston rod.	B. Replace piston rod.
	C. Defective PC board.	C. Defective PC board.
	D. Cover installed incorrectly.	D. Reinstall cover.

TROUBLESHOOTING GUIDE

PROBLEM	CAUSE	CORRECTION
7. Control valve does not regenerate automatically but does when the correct button(s) is depressed and held. For timeclock valves the buttons are + or -. For all other valves the button is REGEN.	A. Bypass valve in bypass position.	A. Turn bypass handles to place bypass in service position.
	B. Meter is not connected to meter connection on PC board.	B. Connect meter to three pin connection labeled METER on PC board.
	C. Restricted/stalled meter turbine.	C. Remove meter and check for rotation or foreign material.
	D. Incorrect programming.	D. Check for programming error.
	E. Meter wire not installed securely into three pin connector.	E. Verify meter cable wires are installed securely into three pin connector labeled METER.
	F. Defective meter.	F. Replace meter.
	G. Defective PC board.	G. Replace PC board.
8. Hard or untreated water is being delivered.	A. Bypass valve is open or faulty.	A. Fully close bypass valve or replace.
	B. Media is exhausted due to high water usage.	B. Check program settings or diagnostics for abnormal water usage.
	C. Meter not registering.	C. Remove meter and check for rotation or foreign material.
	D. Water quality fluctuation.	D. Test water and adjust program values accordingly.
	E. No regenerant or low level of regenerant in regenerant tank.	E. Add proper regenerant to tank.
	F. Control fails to draw in regenerant.	F. Refer to Troubleshooting Guide number 12.
	G. Insufficient regenerant level in regenerant tank.	G. Check refill setting in programming. Check refill flow control for restrictions or debris and, if necessary, replace.
	H. Damaged seal/stack assembly/piston.	H. Replace seal/stack assembly and/or piston.
	I. Control valve body type and piston type mix matched.	I. Verify proper control valve body type and piston type match.
	J. Fouled media bed.	J. Replace media bed.
9. Control valve uses too much regenerant.	A. Improper refill setting.	A. Check refill setting.
	B. Improper program settings.	B. Check program setting to make sure they are specific to the water quality and application needs.
	C. Control valve regenerates frequently.	C. Check for leaking fixtures that may be exhausting capacity or system is undersized.
10. Residual regenerant being delivered to service.	A. Low water pressure.	A. Check incoming water pressure – water pressure must remain at minimum of 25 psi.
	B. Incorrect, damaged, or restricted injector.	B. Replace injector with correct size for the application.
	C. Restricted drain line.	C. Check drain line for restrictions or debris and remove any obstructions.
11. Excessive water in regenerant tank.	A. Improper program settings.	A. Check refill setting.
	B. Plugged injector.	B. Remove injector and replace.
	C. Drive cap assembly not tightened in properly.	C. Re-tighten the drive cap assembly.
	D. Damaged seal/stack assembly/piston.	D. Replace seal/stack assembly and/or piston.
	E. Restricted or kinked drain line.	E. Check drain line for restrictions or debris and or unkink drain line.
	F. Plugged backwash flow controller.	F. Remove backwash flow controller and replace, if necessary.
	G. Missing refill flow controller.	G. Install refill flow controller.

TROUBLESHOOTING GUIDE

PROBLEM	CAUSE	CORRECTION
12. Control valve fails to draw in regenerant.	A. Injector is plugged.	A. Remove injector and replace.
	B. Faulty regenerant piston.	B. Replace regenerant piston.
	C. Regenerant line connection leak.	C. Inspect regenerant line for air leak.
	D. Drain line restriction or debris cause excess back pressure.	D. Inspect drain line and remove to correct restriction.
	E. Drain line too long or too high.	E. Shorten length and or height.
	F. Low water pressure.	F. Check incoming water pressure – water pressure must remain at minimum of 25 psi.
13. Water running to drain.	A. Power outage during regeneration.	A. Upon power being restored control will finish the remaining regeneration time. Reset time of day. If PC board has battery back up present the battery may be depleted. See front cover and drive assembly drawing for instructions.
	B. Damaged seal/stack assembly.	B. Replace seal/stack assembly.
	C. Piston assembly failure.	C. Replace piston assembly.
	D. Drive cap assembly not tightened in properly.	D. Re-tighten the drive cap assembly.
14. E1, Err – 1001, Err – 101 = Control unable to sense motor movement.	A. Motor not inserted full to engage pinion, motor wires broken or disconnected.	A. Disconnect power, make sure motor is fully engaged, check for broken wires, make sure two pin connector on motor is connected to the two pin connection on the PC board labeled MOTOR. Press NEXT and REGEN buttons for 3 seconds to resynchronize software with piston position or disconnect power supply from PC board for 5 seconds and then reconnect.
	B. PC board not properly snapped into drive bracket.	B. Properly snap PC board into drive bracket and then Press NEXT and REGEN buttons for 3 seconds to resynchronize software with piston position or disconnect power supply from PC board for 5 seconds and then reconnect.
	C. Missing drive gears.	C. Replace missing gears.
	D. Motor does not drive/run.	D. Replace motor.
	E. Viewing eye or encoder is blocked or damaged.	E. clear viewing eye on board, on drive bracket, or replace PC board if no debris is found.
15. E2, Err – 1002, Err – 102 = Excessive Motor Draw.	A. Foreign material is lodged in control valve.	A. Open up control valve and pull out piston assembly and seal/stack assembly for inspection. Press NEXT and REGEN buttons for 3 seconds to resynchronize software with piston position or disconnect power supply from PC board for 5 seconds and then reconnect.
	B. Mechanical binding.	B. Check piston and seal/stack assembly, check reduction gears, check drive bracket and main drive gear interface. Press NEXT and REGEN buttons for 3 seconds to resynchronize software with piston position or disconnect power supply from PC board for 5 seconds and then reconnect.
	C. Drive cap too loose.	C. Completely tighten drive cap assembly.
	D. Drive cap not “clicked” into backplate.	D. Verify that backplate is properly “clicked” into place.

TROUBLESHOOTING GUIDE

PROBLEM	CAUSE	CORRECTION
16. E3, Err – 1003, Err – 103 = Control valve motor ran too long and was unable to find the next cycle position.	A. Drive bracket not snapped in properly and out enough that reduction gears and drive gear do not interface.	A. Snap drive bracket in properly then Press NEXT and REGEN buttons for 3 seconds to resynchronize software with piston position or disconnect power supply from PC board for 5 seconds and then reconnect.
17. E4, Err – 1004, Err – 104 = Control valve motor ran too long and timed out trying to reach home position.	A. Drive bracket not snapped in properly and out enough that reduction gears and drive gear do not interface.	A. Snap drive bracket in properly then Press NEXT and REGEN buttons for 3 seconds to resynchronize software with piston position or disconnect power supply from PC board for 5 seconds and then reconnect.
	B. Piston not connected to drive cap.	B. Connect or replace (if damaged) piston/drive cap.
18. Err – 1006, Err – 106, Err – 116 = MAV/ SEPS/ NHBP/ AUX MAV valve motor ran too long and unable to find the proper park position. <ul style="list-style-type: none"> ● Motorized Alternating Valve = MAV ● Separate Source = SEPS ● No Hard Water Bypass = NHBP ● Auxiliary MAV = AUX MAV 	A. Control valve programmed for ALT A or B, nHbP, SEPS, or AUX MAV with out having a MAV or NHBP valve attached to operate that function.	A. Press NEXT and REGEN buttons for 3 seconds to resynchronize software with piston position or disconnect power supply from PC board for 5 seconds and then reconnect. Then reprogram valve to proper setting.
	B. MAV/NHBP motor wire not connected to PC board.	B. Connect MAV/NHBP motor to PC board two pin connection labeled DRIVE. Press NEXT and REGEN buttons for 3 seconds to resynchronize software with piston position or disconnect power supply from PC board for 5 seconds and then reconnect.
	C. MAV/NHBP motor not fully engaged with reduction gears.	C. Properly insert motor into casing, do not force into casing Press NEXT and REGEN buttons for 3 seconds to resynchronize software with piston position or disconnect power supply from PC board for 5 seconds and then reconnect.
	D. Foreign matter built up on piston and stack assemblies creating friction and drag enough to time out motor.	D. Replace piston and stack assemblies. Press NEXT and REGEN buttons for 3 seconds to resynchronize software with piston position or disconnect power supply from PC board for 5 seconds and then reconnect.
19. Err – 1007, Err – 107, Err – 117 = MAV/ SEPS/NHBP/ AUX MAV valve motor ran too short (stalled) while looking for proper park position. <ul style="list-style-type: none"> ● Motorized Alternating Valve = MAV ● Separate Source = SEPS ● No Hard Water Bypass = NHBP ● Auxiliary MAV = AUX MAV 	A. Foreign material is lodged in MAV/NHBP valve.	A. Open up MAV/NHBP valve and check piston and seal/ stack assembly for foreign material. Press NEXT and REGEN buttons for 3 seconds to resynchronize software with piston position or disconnect power supply from PC board for 5 seconds and then reconnect.
	B. Mechanical binding.	B. Check piston and seal/stack assembly, check reduction gears, drive gear interface, and check MAV/NHBP black drive pinion on motor for being jammed into motor body. Press NEXT and REGEN buttons for 3 seconds to resynchronize software with piston position or disconnect power supply from PC board for 5 seconds and then reconnect.

TROUBLESHOOTING GUIDE

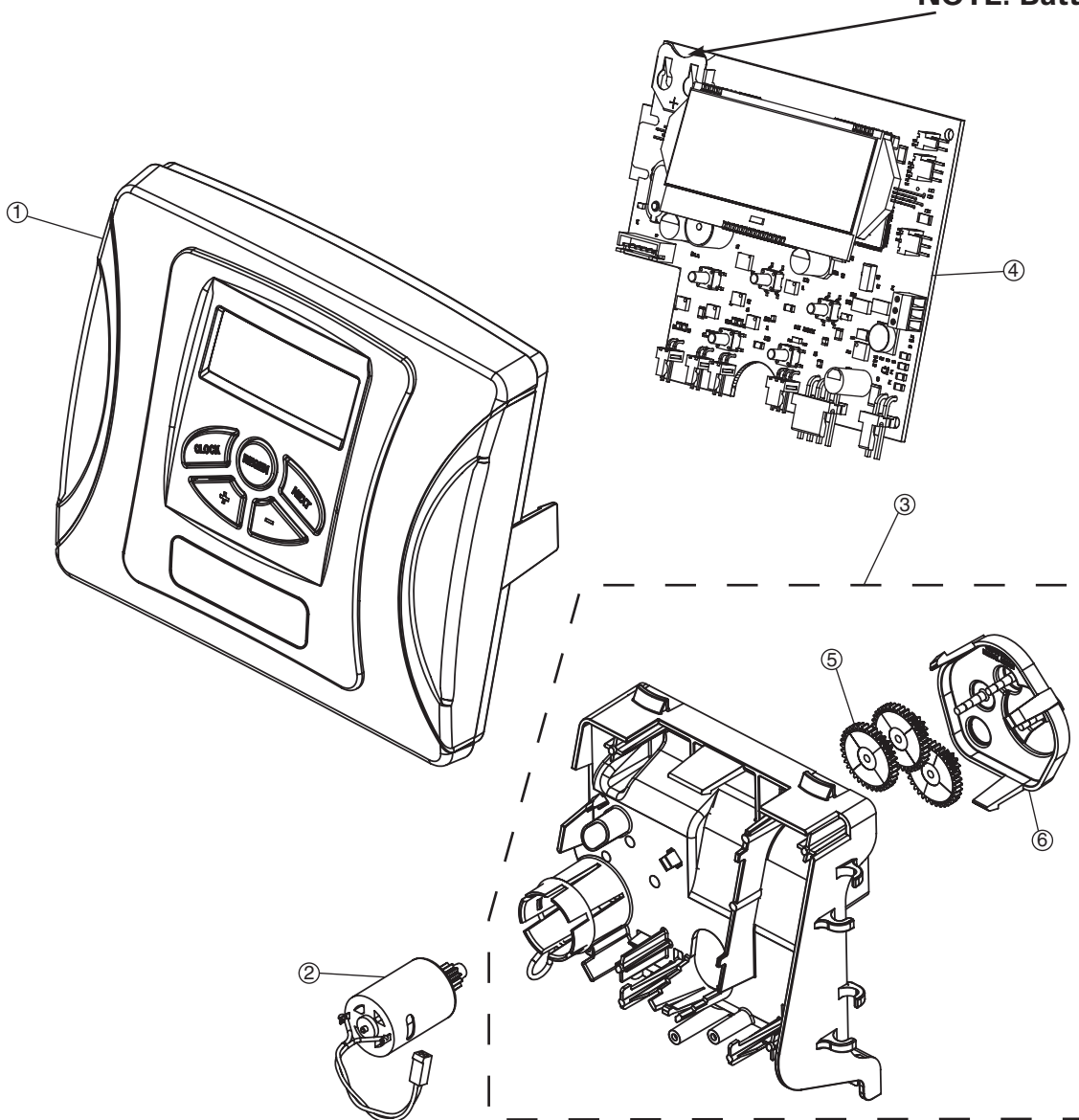
PROBLEM	CAUSE	CORRECTION
21. Err – 201 200 errors are only viewable in history screens. These do not flash when error occurs.	A. Invalid regeneration cycle step detected.	A. Replace PC board.
22. Err – 202 200 errors are only viewable in history screens. These do not flash when error occurs.	A. Short power disruption.	A. Check transformer voltage and verify power source.
	B. Foreign material dislodged.	B. Check piston and stack for damage.
23. Err – 204 = Leak detected 200 errors are only viewable in history screens. These do not flash when error occurs.	A. Occurs when dP input is active for “ALARM” and the input is closed. The alarm buzzer will activate and the screen will display the error.	A. Check for low flow leak. Press NEXT and REGEN buttons for 3 seconds to resynchronize software with piston position or disconnect power supply from PC Board for 5 seconds and then reconnect to clear error.
24. Err – 400* Memory Errors *All 400 errors pertain to memory related errors. 400 and 200 errors are only viewable in history screens. These do not flash when error occurs.	A. Depleted Battery.	A. See Operating Display and Maintenance section.
	B. Defective PC Board.	B. Replace PC board.

REPLACEMENT PARTS

FRONT COVER AND DRIVE ASSEMBLY

Item #	Legacy Part #	Current Part #	Description	Qty.
1	CV3837-01XC	100244831	Ion Pro [®] cover, green buttons	1
	CV3837-01	100243969	CareSoft Elite/CareSoft Pro cover (blue buttons)	1
2	CV3107-1	100246273	Motor Assembly	1
3	CV3002-A	100246193	Drive assembly (includes #5 and #6)	—
4	CV4050WX-02	100246447	PC board	1
	CV4237YB-BOARD	100246452	PC board (Wripli-enabled models)	1
5	CV3110	100246279	Drive gear, 12 x 36	3
6	CV3109	100246278	Drive gear cover	1
Not Shown	CV3186-06	100249863	Transformer, 110V-12V (standard)	1
	CV3543	100246379	Optional weather cover	1

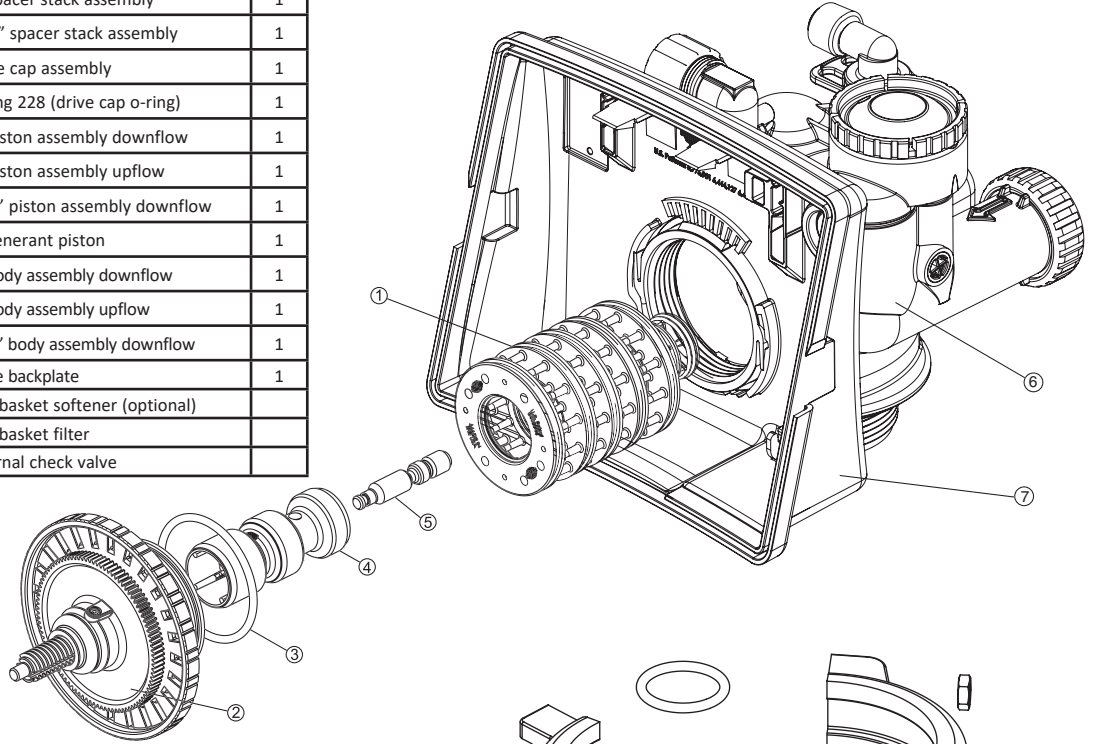
NOTE: Battery Location



REPLACEMENT PARTS

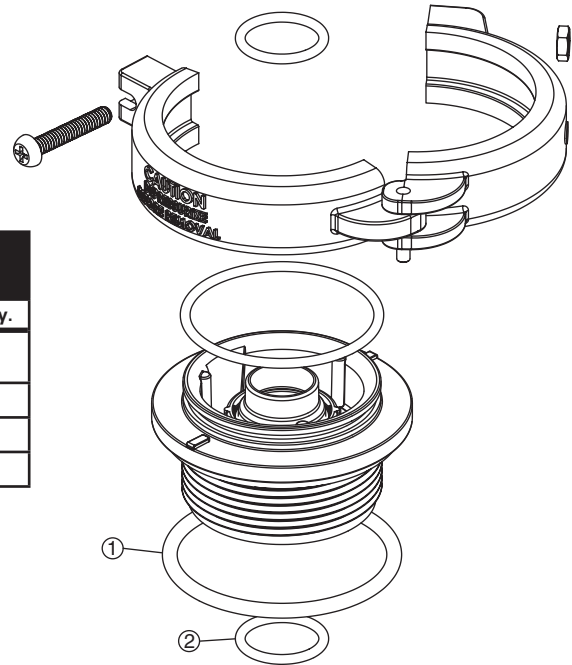
PISTON ASSEMBLY

Item #	Legacy Part #	Current Part #	Description	Qty.
1	CV3005-02	100249844	1" spacer stack assembly	1
	CV3430-01	100249865	1.25" spacer stack assembly	1
2	CV3004	100246196	Drive cap assembly	1
3	CV3135	100246281	O-ring 228 (drive cap o-ring)	1
4	CV3011	100246232	1" piston assembly downflow	1
	CV3011-01	100246233	1" piston assembly upflow	1
	CV3407	100243924	1.25" piston assembly downflow	1
5	CV3174	100246296	Regenerant piston	1
6	CV3001-04	100244557	1" body assembly downflow	1
	CV3001-04UP	100243827	1" body assembly upflow	1
	CV3020	100246239	1.25" body assembly downflow	1
7	CV3541	100249867	Drive backplate	1
Not Shown	CD1225-05	100249834	Top basket softener (optional)	
	CD1249WR	100245766	Top basket filter	
	OV32 DN32	100248209	Internal check valve	

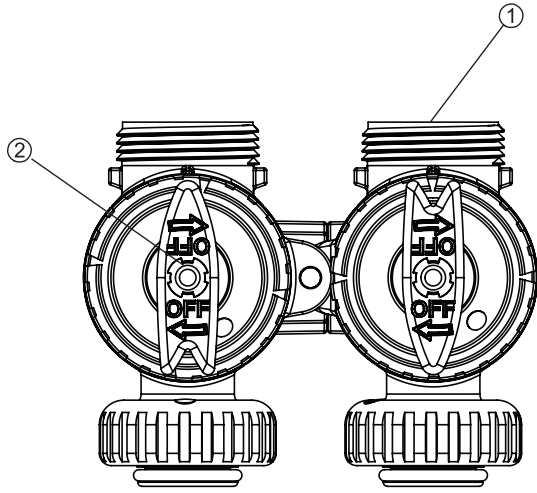


FLANGE/TANK ADAPTER (NOT AVAILABLE ON 1 1/4" VALVE)

Item #	Legacy Part #	Current Part #	Description	Qty.
-	CV3015A	100244975	Quick Connect Tank Adapter Assembly (includes items 2 and 3)	1
1	CV3180	100246307	Base O-Ring	1
2	CV3105	100246272	O-Ring 215	1
	CV3358	100246341	O-Ring 219 (for 1.25" distributor tubes)	1

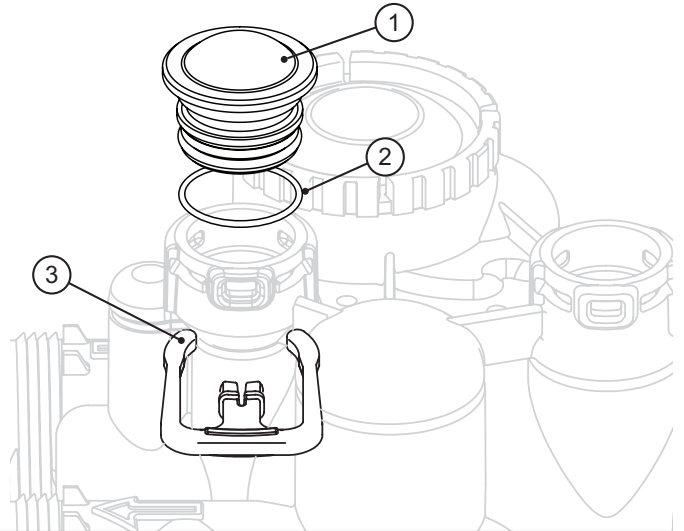


REPLACEMENT PARTS



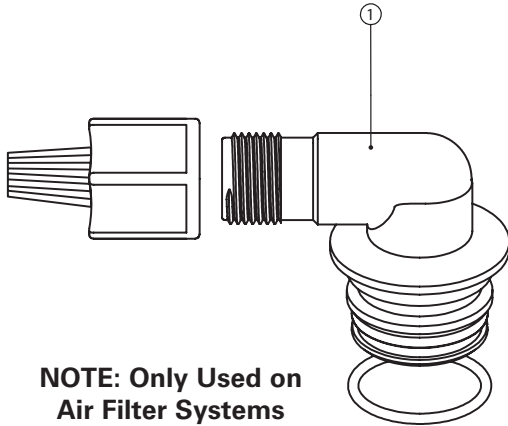
BYPASS VALVE

Item #	Legacy Part #	Current Part #	Description	Qty.
1	CV3006	100249845	Bypass assembly	1
2	CV3147	100246284	Bypass handles	2



BRINE ELBOW ASSEMBLY

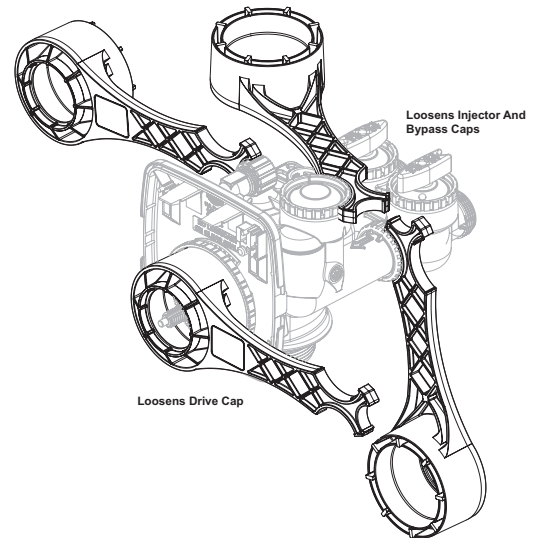
Item #	Legacy Part #	Current Part #	Description	Qty.
1	CV3195-01	100246323	Refill port plug assembly	1
2	CV3163	100246291	O-ring 019	1
3	CH4615	100245862	Elbow locking clip	1



NOTE: Only Used on Air Filter Systems

CHECK VALVE ASSEMBLY

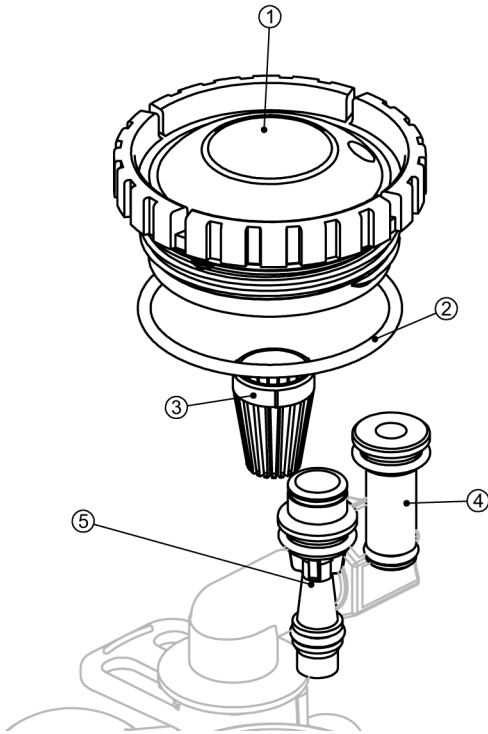
Item #	Legacy Part #	Current Part #	Description	Qty.
1	CH4642-WR-A	100243963	Air check valve assembly	1



SERVICE WRENCH - 100249864 (CV3193-02)

Although no tools are necessary to assemble or disassemble the valve, the Service Wrench, (shown in various positions on the valve) is available to aid in assembly or disassembly.

REPLACEMENT PARTS



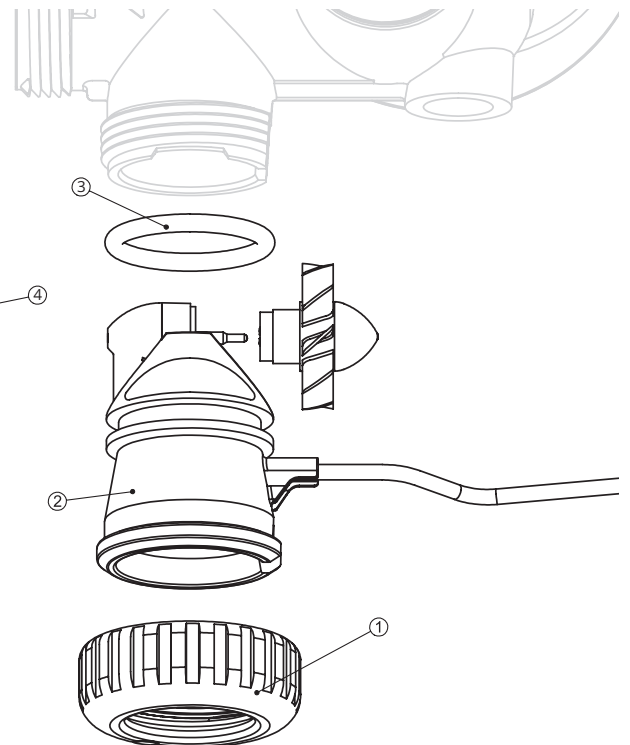
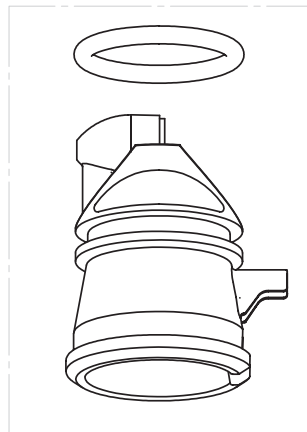
INJECTOR ASSEMBLIES

Item #	Legac art #	Current Part #	Description	Qty.
1	CV3176	100246304	Injector cap	1
2	CV3152	100244507	O-ring 135	1
3	CV3177-01	100246305	Injector screen	1
4	CV3010-1Z	100246221	Injector assembly plug	1
5	CV3010-1A	100246211	A injector assembly, BLACK	1
	CV3010-1B	100246212	B injector assembly, BROWN	
	CV3010-1C	100246213	C injector assembly, VIOLET	
	CV3010-1D	100249849	D injector assembly, RED	
	CV3010-1E	100246214	E injector assembly, WHITE	
	CV3010-1F	100246215	F injector assembly, BLUE	
	CV3010-1G	100246216	G injector assembly, YELLOW	
	CV3010-1H	100246217	H injector assembly, GREEN	
	CV3010-1I	100246218	I injector assembly, ORANGE	
	CV3010-1J	100246219	J injector assembly, LIGHT BLUE	
	CV3010-1K	100246220	K injector assembly, LIGHT GREEN	
not shown	CV3170	100246294	O-ring 011, lower	*
not shown	CV3171	100246295	O-ring 013, upper	*

*The injector plug and the injector each use one lower and one upper o-ring

WATER METER AND METER PLUG

Item #	Legacy Part #	Current Part #	Description	Qty.
1	CV3151	100246287	Nut, 1" Quick Connect	1
2	CV3003	100246194	Meter assembly	1
3	CV3105	100246272	O-ring 215	1
4	CV3003-01	100246195	Meter plug assembly	1



REPLACEMENT PARTS

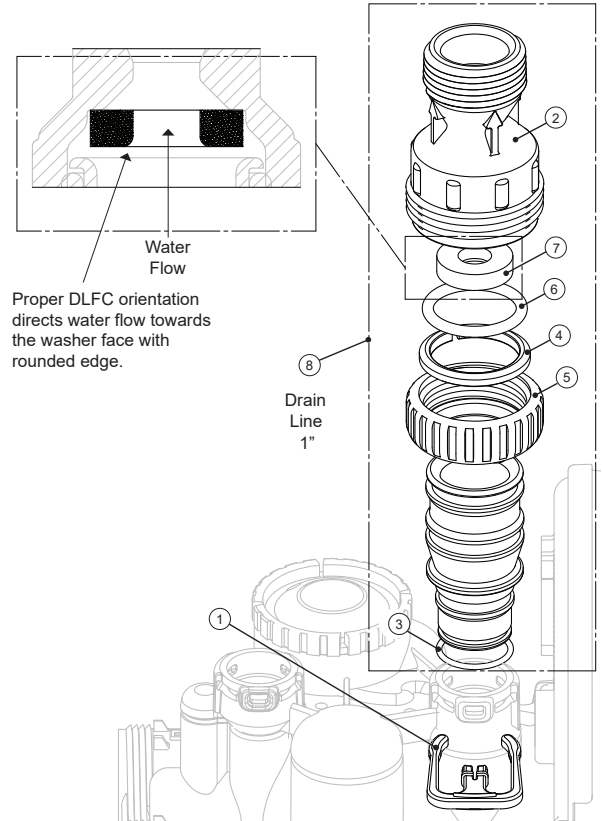
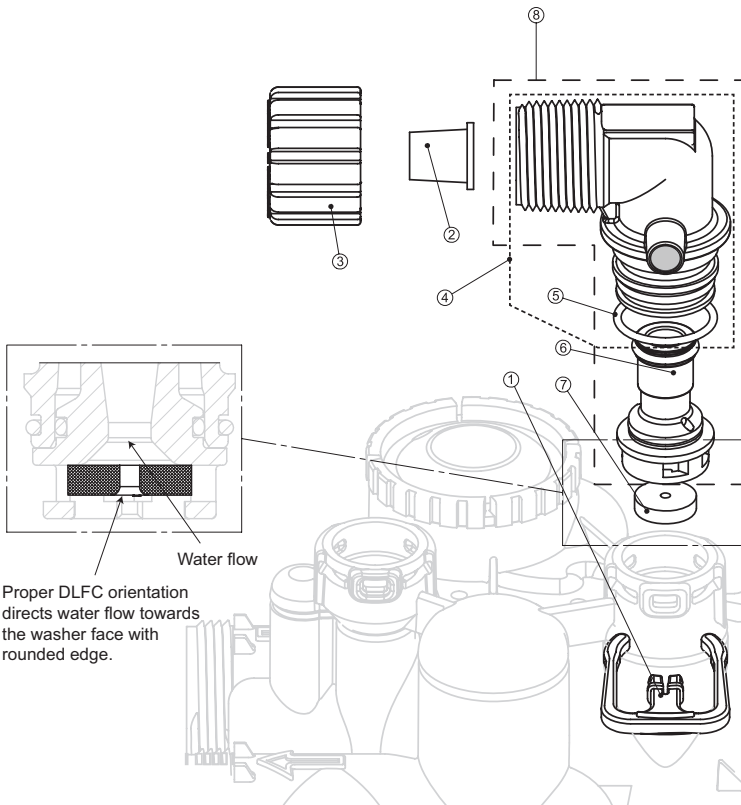
DRAIN LINE ASSEMBLY 3/4"

Item #	Legacy Part #	Current Part #	Description	Qty.
1	CH4615	100245862	Elbow locking clip	1
2	CPKP10TS8-BULK	100245919	Optional insert, 5/8" tube	1
3	CV3192	100246322	Optional nut, 3/4" drain elbow	1
4	CV3158-02	100249851	Drain elbow, 3/4" NPT with O-ring	1
5	CV3163	100246291	O-ring 019	1
6	CV3159-01	100246290	DLFC retainer assembly	1
7	CV3162-007	100244908	0.7 DLFC for 3/4" elbow	1
	CV3162-010	100244909	1.0 DLFC for 3/4" elbow	
	CV3162-013	100244910	1.3 DLFC for 3/4" elbow	
	CV3162-017	100244911	1.7 DLFC for 3/4" elbow	
	CV3162-022	100249852	2.2 DLFC for 3/4" elbow	
	CV3162-027	100249853	2.7 DLFC for 3/4" elbow	
	CV3162-032	100249854	3.2 DLFC for 3/4" elbow	
	CV3162-042	100249855	4.2 DLFC for 3/4" elbow	
	CV3162-053	100249856	5.3 DLFC for 3/4" elbow	
	CV3162-065	100249857	6.5 DLFC for 3/4" elbow	
CV3162-075	100249858	7.5 DLFC for 3/4" elbow		
8	CV3331A	100245051	Drain elbow and retainer assembly	

Items 2 and 3, nut and insert are only used with 1/2" I.D. by 5/8" O.D. polytubing. For other piping material, the 3/4" NPT is used.

DRAIN LINE ASSEMBLY 1"

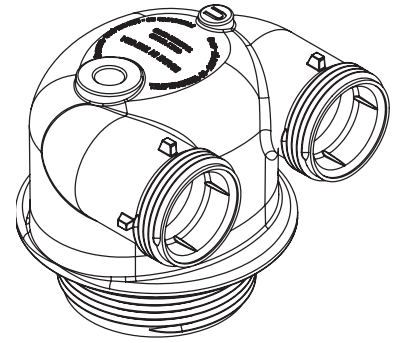
Item #	Legacy Part #	Current Part #	Description	Qty.
1	CH4615	100245862	Elbow locking clip	1
2	CV3166	100246292	Drain FTG body 1	1
	CV3166-01	100246293	FTG flow control body 1	
3	CV3163	100246291	O-ring 019	1
4	CV3150	100246286	Split ring	1
5	CV3151	100246287	Nut 1" QC	1
6	CV3105	100246272	O-ring 215	
7	CV3190-090	100246313	9.0 gpm DLFC for 1" elbow	One DLFC must be used if 1" fitting is used
	CV3190-100	100246314	10.0 gpm DLFC for 1" elbow	
	CV3190-110	100246315	11.0 gpm DLFC for 1" elbow	
	CV3190-130	100246316	13.0 gpm DLFC for 1" elbow	
	CV3190-150	100246317	15.0 gpm DLFC for 1" elbow	
	CV3190-170	100246318	17.0 gpm DLFC for 1" elbow	
	CV3190-200	100246319	20.0 gpm DLFC for 1" elbow	
	CV3190-250	100246320	25.0 gpm DLFC for 1" elbow	
8	CV3008-04	100243824	FTG Drain 1" Strt No/Silencer	1



REPLACEMENT PARTS

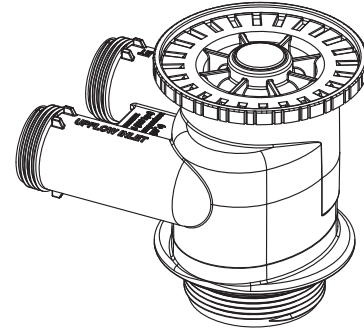
IN/OUT HEAD

Item #	Legacy Part #	Current Part #	Description	Qty.
1	CD1400	100245769	1191 In/Out Head	1
Not Shown	CV3180	100246307	Base O-Ring	1
	CV3105	100247272	O-Ring 215	1



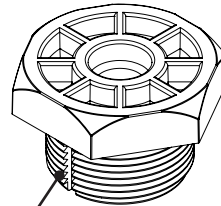
IN/OUT HEAD W/FILL PORT

Item #	Legacy Part #	Current Part #	Description	Qty.
1	CD1220-01	100245758	1190 In/Out Head W/Port	1
Not Shown	CV3180	100246307	Base O-Ring	1
	CV3105	100247272	O-Ring 215	1

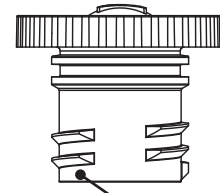


DOME HOLE PLUG

Item #	Legacy Part #	Current Part #	Description	Qty.
	CQ7006	100243086	Enpress Style Plug	1
	CD1338-01	100343241	Clack Style Plug	1



ENPRESS VERSION

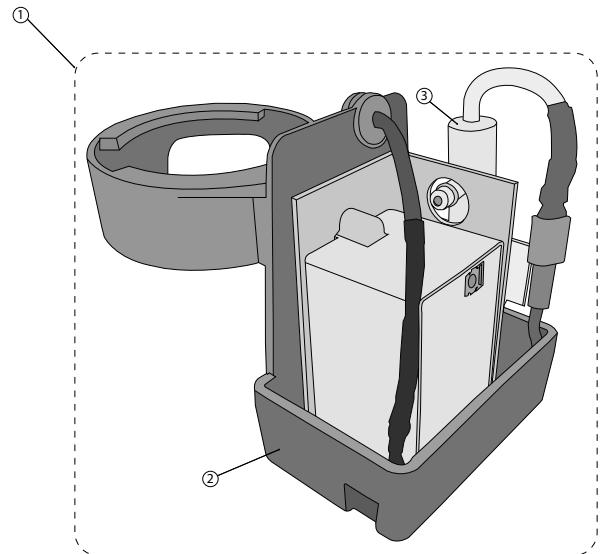


CLACK VERSION



OZONE GENERATOR

Item #	Legacy Part #	Current Part #	Description	Qty.
1	OZ1-A	100349795	Ozone Kit Assembly	1
2	OZ1-CASE	100174201	Enclosure Top, Bottom, and Clip (Cover not shown)	1
3	OZ33217-WRP3	100343535	Ozone Cell	1
Not Shown	CJCPG-6PBLK	100245902	3/8" Compression Nut	1
Not Shown	CH4642-WR-A	100243963	Air Draw Elbow/Check Valve	1

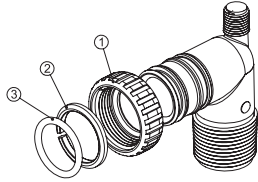


INSTALLATION FITTING ASSEMBLIES

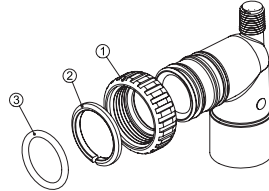
NOTE: Not all available fittings are displayed below. Contact manufacturer for optional fittings.

For All Assemblies

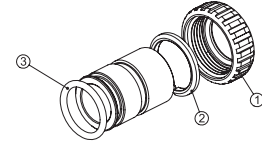
Item #	Legacy Part #	Current Part #	Description	Qty.
1	CV3151	100246287	Nut, 1" quick connect	2
2	CV3150	100246286	Split ring	2
3	CV3105	100246272	O-ring 215	2



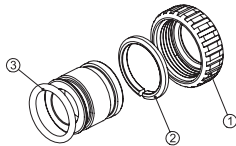
1" PVC MALE NPT ELBOW			
Legacy Part #	Current Part #	Description	Qty.
CV3007	100246197	1" PVC male NPT elbow assembly	2



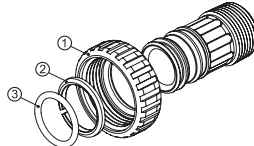
3/4" & 1" PVC SOLVENT ELBOW			
Legacy Part #	Current Part #	Description	Qty.
CV3007-01	100246197	3/4" & 1" PVC solvent elbow assembly	2



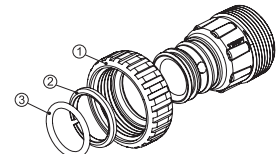
1" BRASS SWEAT			
Legacy Part #	Current Part #	Description	Qty.
CV3007-02	100246199	1" brass sweat assembly	2



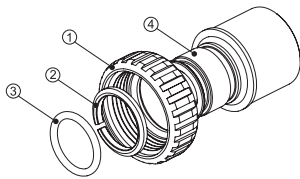
3/4" BRASS SWEAT			
Legacy Part #	Current Part #	Description	Qty.
CV3007-03	100249846	3/4" brass sweat assembly	2



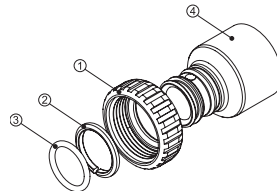
1" PLASTIC MALE NPT			
Legacy Part #	Current Part #	Description	Qty.
CV3007-04	100249846	1" plastic male NPT assembly	2



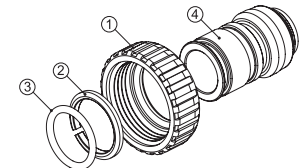
1-1/4" PLASTIC MALE NPT			
Legacy Part #	Current Part #	Description	Qty.
CV3007-05	100243921	1-1/4" plastic male assembly	2



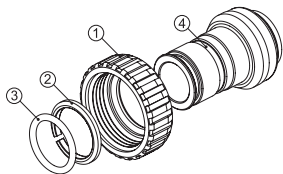
1-1/4" & 1-1/2" BRASS SWEAT			
Legacy Part #	Current Part #	Description	Qty.
CV3007-09	100243922	1-1/4" & 1-1/2" brass sweat assembly	2



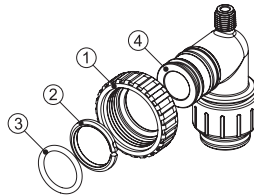
1-1/4" & 1-1/2" PVC SOLVENT			
Legacy Part #	Current Part #	Description	Qty.
CV3007-07	100243375	1-1/4" & 1-1/2" PVC solvent assembly	2



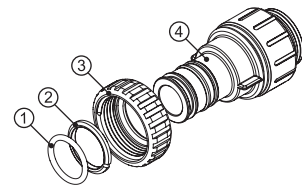
3/4" BRASS SHARK BITE			
Legacy Part #	Current Part #	Description	Qty.
CV3007-12	100249847	3/4" brass shark bite assembly	2



1" BRASS SHARK BITE			
Legacy Part #	Current Part #	Description	Qty.
CV3007-13	100249848	1" brass shark bite assembly	2



3/4" JOHN GUEST ELBOW			
Legacy Part #	Current Part #	Description	Qty.
CV3007-15	100246200	3/4" john guest elbow assembly	2



1" JOHN GUEST			
Legacy Part #	Current Part #	Description	Qty.
CV3007-17	100245045	1" john guest assembly	2

AIR FILTER SPECIFICATIONS:

Sulfur(IPHS) and Iron Air(IPFE) Filters

MODEL	IPHS-1054	IPHS-1252	IPHS-1354	IPFE-1054	IPFE-1252	IPFE-1354
Mineral Type	Catalytic Carbon	Catalytic Carbon	Catalytic Carbon	Birm	Birm	Birm
Amount (Cu. Ft.)	1.0	1.5	2.0	1.0	1.5	2.0
Gravel Amount/Size (No. 1)	14 lb 1/4 x 1/8	14 lb 1/4 x 1/8	21 lb 1/4 x 1/8	14 lb 1/4 x 1/8	14 lb 1/4 x 1/8	21 lb 1/4 x 1/8
Gravel Amount/Size (No. 2)	7 lb #20	7 lb #20	7 lb #20	7 lb #20	7 lb #20	7 lb #20
Service Flow (GPM)	5.0	6.0	7.0	5.0	6.0	7.0
¹ Peak Flow (GPM)	20.0	22.0	22.0	18.0	19.0	19.0
Backwash Flow (GPM)	5.3	7.5	9.0	5.3	9.0	10.0
² Iron Removal	1.0	1.0	1.0	5.0	5.0	5.0
³ Hydrogen Sulfide Removal	5.0	5.0	5.0	1.0	1.0	1.0
pH Range	Greater than 7.0	Greater than 7.0	Greater than 7.0	6.8 to 9.0	6.8 to 9.0	6.8 to 9.0
Total Dimensions	10"W x 62"H	12"W x 60"H	13"W x 62"H	10"W x 62"H	12"W x 60"H	13"W x 62"H
Weight Filled (Lbs.)	99	129	⁴ 150	106	139	⁴ 164

NOTE: The IPHS and IPFE are approved for use in the State of Wisconsin.

¹Not tested at peak flow rate. Water quality will vary.

²Iron removal may vary for hydrogen sulfide systems, depending on local conditions.

³Hydrogen sulfide removal may vary for iron systems, depending on local conditions.

⁴Units ship with media separate.

Air CAT (IPG/IPCG-AN) Filters

MODEL	IPG-1054	IPG-1252	IPG-1354	IPCG-1054AN	IPCG-1252AN	IPCG-1354AN
Mineral Type	Greensand Plus	Greensand Plus	Greensand Plus	Greensand Plus: 0.5	Greensand Plus: 0.75	Greensand Plus: 1.0
¹ Amount (Cu. Ft.)	1.0	1.5	2.0	Calcite: 0.5	Calcite: 0.75	Calcite: 1.0
Gravel Amount/Size (No. 1)	7 lb 1/4 x 1/8	14 lb 1/4 x 1/8	14 lb 1/4 x 1/8	7 lb 1/4 x 1/8	14 lb 1/4 x 1/8	21 lb 1/4 x 1/8
Gravel Amount/Size (No. 2)	7 lb #20	7 lb #20	14 lb #20	7 lb #20	7 lb #20	7 lb #20
Garnet Amount (Lbs)	13.0	19.0	22.0	13.0	19.0	22.0
Service Flow (GPM)	3.0	3.0	5.0	3.0	3.0	5.0
² Peak Flow (GPM)	6.0	8.0	10.0	6.0	8.0	10.0
Backwash Flow (GPM)	6.5	9.0	11.0	6.5	9.0	11.0
³ Iron Removal	4.0	4.0	4.0	4.0	4.0	4.0
⁴ Hydrogen Sulfide Removal	0.5	0.5	0.5	0.5	0.5	0.5
pH Range	Greater than 6.8	Greater than 6.8	Greater than 6.8	Greater than 6.3	Greater than 6.3	Greater than 6.3
Total Dimensions	10"W x 62"H	12"W x 60"H	13"W x 62"H	10"W x 62"H	12"W x 60"H	13"W x 62"H
Weight Filled (Lbs.)	169	233	⁵ 286	169	233	⁵ 286

¹Amount of acid neutralizing media will vary depending on local conditions.

²Not tested at peak flow rate. Water quality may vary.

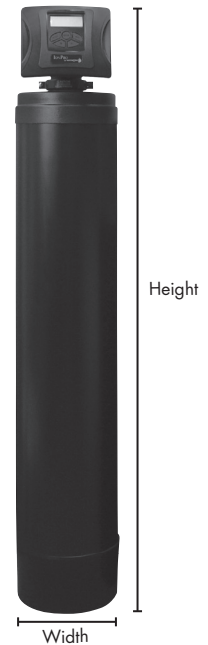
³Iron removal may vary, depending on local conditions.

⁴Hydrogen sulfide removal may vary, depending on local conditions.

⁵Units ship with media separate.

Cycle Times and Usage

MODEL	IPHS-1054		IPHS-1252		IPHS-1354		IPFE-1054		IPFE-1252		IPFE-1354	
	MIN.	GAL.	MIN.	GAL.	MIN.	GAL.	MIN.	GAL.	MIN.	GAL.	MIN.	GAL.
Backwash Air	4	16	4	23	4	27	4	16	4	23	4	27
Backwash	10	50	10	80	10	90	10	50	10	80	10	100
Regenerant Draw	60	25	60	40	60	50	60	25	60	40	60	50
Total	74	91	74	143	74	167	74	91	74	143	74	177



FILTER SPECIFICATIONS:

Acid Neutralizers (CCP-AN/CCF)

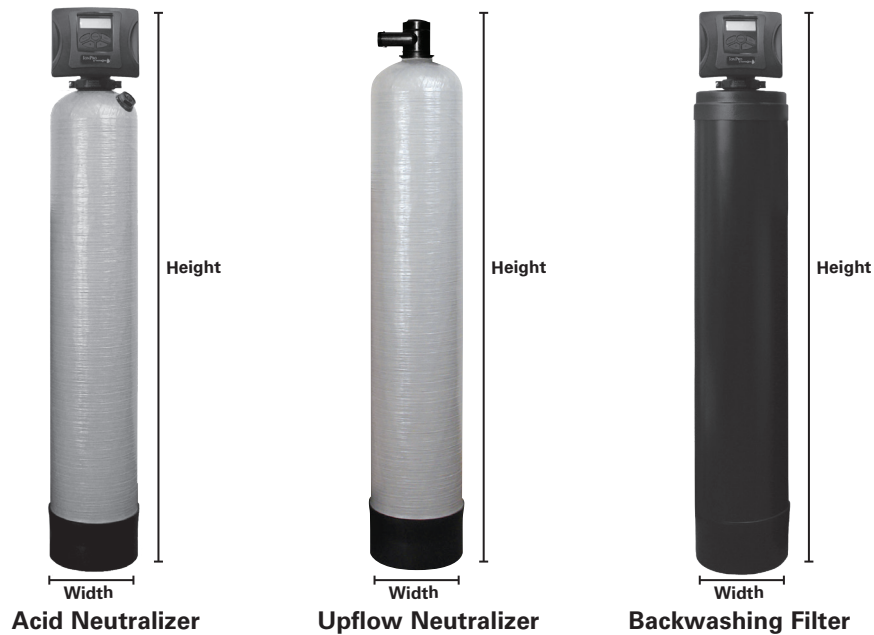
MODEL	CCP-1044AN	CCP-1054AN	CCP-1354AN	CCF-1044	CCF-1054	CCF-1354
Mineral Type	Calcite or Mix	Calcite or Mix	Calcite or Mix	Calcite or Mix	Calcite or Mix	Calcite or Mix
Amount (Cu. Ft.)	1.0	1.5	2.5	1.0	1.5	2.5
Gravel Amount/Size (No. 1)	14 lb 1/4 x 1/8	14 lb 1/4 x 1/8	21 lb 1/4 x 1/8	14 lb 1/4 x 1/8	14 lb 1/4 x 1/8	21 lb 1/4 x 1/8
Gravel Amount/Size (No. 2)	7 lb #20	7 lb #20	7 lb #20	7 lb #20	7 lb #20	7 lb #20
Continuous Flow (GPM)	4.8	4.8	6.9	N/A	N/A	N/A
Peak Flow (GPM)	11.0	11.0	16.0	N/A	N/A	N/A
Backwash Flow (GPM)	5.3	5.3	7.5	N/A	N/A	N/A
Total Dimensions	10"W x 52"H	10"W x 62"H	13"W x 62"H	10"W x 50"H	10"W x 60"H	13"W x 60"H
Weight:						
Unfilled/Media (Lbs)	63/90	66/135	84/225	63/90	66/135	84/225

Backwashing Filters (CCP)

MODEL	CCP-1044	CCP-1054	CCP-1354	CCP-1044	CCP-1054	CCP-1354
Mineral Type	Carbon	Carbon	Carbon	Turbidex	Turbidex	Turbidex
Amount (Cu. Ft.)	1.0	1.5	2.5	1.0	1.5	2.5
Gravel Amount/Size (No. 1)	14 lb 1/4 x 1/8	14 lb 1/4 x 1/8	21 lb 1/4 x 1/8	14 lb 1/4 x 1/8	14 lb 1/4 x 1/8	21 lb 1/4 x 1/8
Gravel Amount/Size (No. 2)	7 lb #20	7 lb #20	7 lb #20	7 lb #20	7 lb #20	7 lb #20
Continuous Flow (GPM)	5.0	5.0	6.0	6.0	7.0	11.0
Peak Flow (GPM)	8.0	9.0	12.0	10.0	11.0	18.0
Backwash Flow (GPM)	5.3	5.3	7.5	8.0	8.0	14.0
Total Dimensions	10"W x 52"H	10"W x 62"H	13"W x 62"H	10"W x 52"H	10"W x 62"H	13"W x 62"H
Weight:						
Unfilled/Media (Lbs)	63/33	66/50	84/83	63/50	66/75	84/125

Cycle Times and Usage

MODEL	CCP-1044 CARBON		CCP-1054 CARBON		CCP-1354 CARBON		CCP-1044 TURBIDEX		CCP-1054 TURBIDEX		CCP-1354 TURBIDEX	
	MIN.	GAL.	MIN.	GAL.	MIN.	GAL.	MIN.	GAL.	MIN.	GAL.	MIN.	GAL.
Backwash	5	27	5	27	5	38	5	45	5	45	5	65
Rinse	1	5	1	5	1	8	1	9	1	9	1	13
Backwash	5	27	5	27	5	38	5	45	5	45	5	65
Rinse	1	5	2	11	2	15	1	9	2	18	2	26
Total	12	64	13	70	13	99	12	108	13	117	13	169





WaterCare® Water Filter Limited Warranty

Congratulations. You have purchased one of the finest water treatment systems available. In the unlikely event of a problem due to defects in material and workmanship, Water-Right® proudly warrants our WaterCare water filters to the original owner, at original installation location, when installed in accordance with Water-Right specifications from the date of original installation as follows:

For the LIFETIME of the original owner: Media tank, except for damages due to freezing, high pressure (120 PSI and above), extreme temperature (100° F and above) or a vacuum on the system.

For a period of FIVE YEARS: Complete valve.

For a period of ONE YEAR: All other parts and components.

Any part found defective within the terms of this warranty will be repaired or replaced by the dealer at the manufacturer's discretion. You pay only freight from our factory and local dealer charges. To obtain local warranty service, contact original dealer. If original dealer is unknown, contact Water-Right for authorized service dealer in your area. If no authorized dealer is located in your area, please ship defective part or component freight prepaid to:

Water-Right, Inc.
1900 Prospect Ct.
Appleton, Wisconsin 54914

Water-Right, at its discretion, will repair or replace the part or component at its expense and return part freight collect.

The above provisions of the warranty are valid as long as the unit is connected in compliance with local plumbing codes and in an equivalent manner and condition of the original installation and is owned by the original owner.

This warranty does not cover expendable or misapplied medias, or damages due to accident, fire, flood, freezing, or any other Act of God. Water-Right is not responsible for damages due to change in water conditions, misapplication, misuse, neglect, vacuum, oxidizing agents, alteration, or lack of maintenance. No responsibility is assumed for loss of use of the unit, inconvenience, loss or damage to real or personal property or any incidental or consequential damages. Furthermore, we assume no liability and extend no warranties, express or implied, for the use of this product with a non-potable water source. **To the extent permitted by law, Water-Right disclaims all implied warranties, including without limitation warranties of merchantability and fitness for particular purpose; to the extent required by law, any such implied warranties are limited in duration to the period specified above for the specified components.**

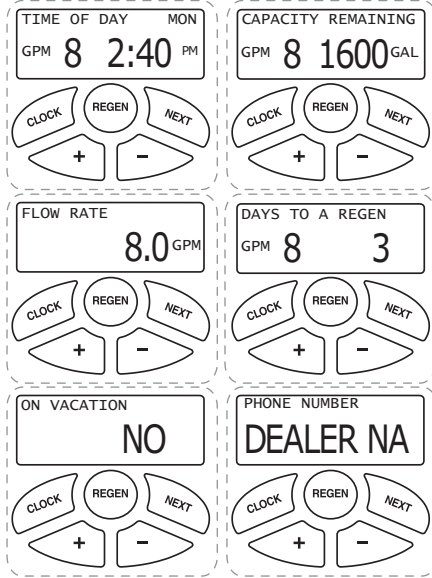
Some states do not allow limitations on how long an implied warranty lasts, so the above limitation may not apply to you. Some states do not allow the exclusion or limitation of incidental or consequential damages, so the above limitation or exclusion may not apply to you. This warranty gives you specific legal rights, and you may also have other rights which vary from state to state.

QUICK REFERENCE GUIDE:

GENERAL OPERATION

When the system is operating, one of six displays will be shown:

1. Time of day/gpm
2. Flow rate
3. Vacation mode
4. Capacity remaining
5. Days to a regen
6. Dealer name and phone number

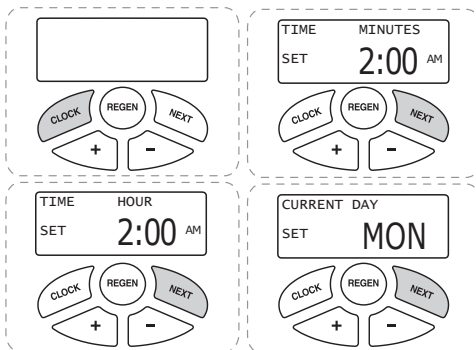


Pressing **NEXT** will toggle between the six choices.

TO SET TIME OF DAY

In the event of a prolonged power outage, time of day flashes, indicating that this needs to be reset. All other information will be stored in memory no matter how long the power outage.

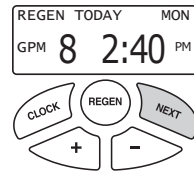
1. Accessed by pressing **SET CLOCK**
2. Adjust hours with + and — buttons, AM/PM toggles at 12
3. Press **NEXT**
4. Adjust minutes with + and — buttons
5. Press **NEXT**
6. Adjust current day with + and — buttons
7. Press **NEXT** to complete and return to normal operation



MANUAL REGENERATION

NOTE: For softeners, if brine tank does not contain salt, fill with salt and wait at least two hours before regeneration. If you need to initiate a manual regeneration, either immediately, or the same night at the preprogrammed time for regeneration (typically 2:00 AM), complete the following steps.

REGEN TODAY and TIME OF DAY will flash alternately if a regeneration is expected tonight.



For Immediate Regeneration:

Press and hold **REGEN** until valve motor starts (typically 3 seconds).

For Regeneration the same night:

Press and release **REGEN** (notice that flashing "REGEN TODAY" appears).

ERROR

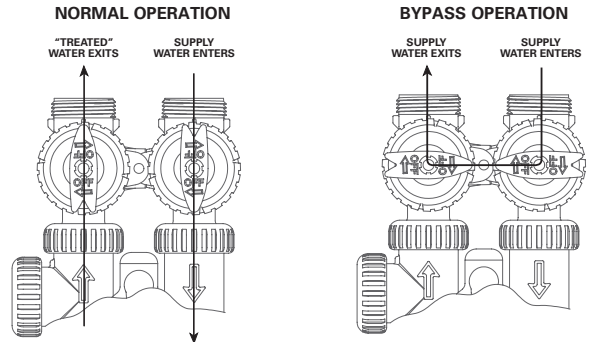
If the display toggles between "Error" and an error code (i.e. a number), call a service technician and report the error code.

CALL FOR SERVICE

ERROR 106

BYPASS VALVE OPERATION

To shut off water to the system, position arrow handles as shown in the bypass operation diagram below. If your valve doesn't look like the diagram below, contact your service technician for instructions on how to shut off water.

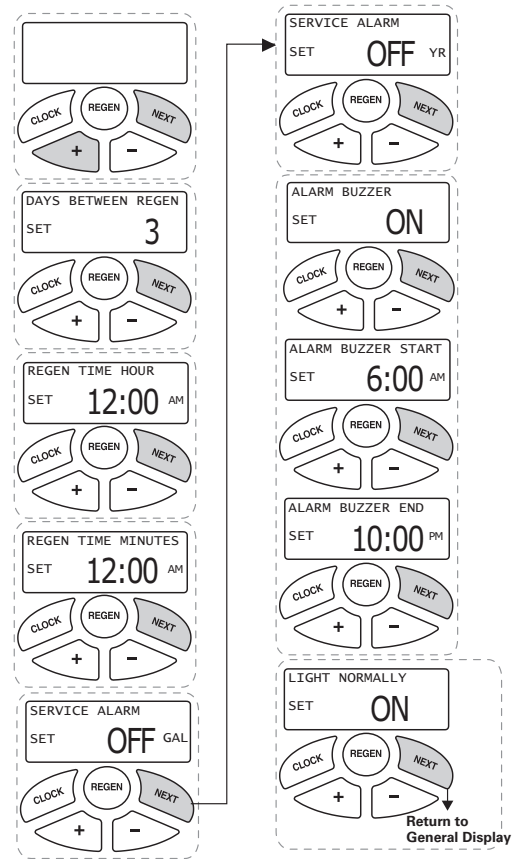


QUICK REFERENCE GUIDE:

ADJUST DAYS BETWEEN REGENERATION, TIME OF REGENERATION, AND ALARM BUZZER

For initial set-up or to make adjustments, please complete the following steps.

1. Accessed by pressing **NEXT** and + button simultaneously
2. Adjust days between regenerations using + and — buttons
3. Press **NEXT**
4. Adjust time of regeneration hour with + and — buttons, AM/PM toggles at 12.
5. Press **NEXT**
6. Adjust time of regeneration minutes with + and — buttons
7. Press **NEXT**
8. Turn service alarm time ON with + and — buttons. Default is OFF.
9. Press **NEXT** twice
10. Turn service alarm gallons ON with + and — buttons. Default is OFF.
11. Press **NEXT** twice
12. Turn alarm buzzer ON or OFF with + and — buttons.
13. Press **NEXT**
14. Adjust alarm buzzer start time with + and — buttons.
15. Press **NEXT**
16. Adjust alarm buzzer end time with + and — buttons.
17. Press **NEXT**
18. Turn display backlight ON or OFF with + and — buttons. Default is ON.
19. Press **NEXT** to complete and return to normal operation.





Manufactured exclusively for WaterCare Dealers at:
1900 Prospect Court • Appleton, WI 54914
Phone: 920-739-9401 • Fax: 920-739-9406



Love your WaterCare filter?
Scan the QR code above with
your mobile device to leave
a review.