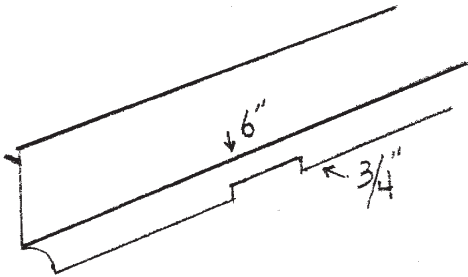


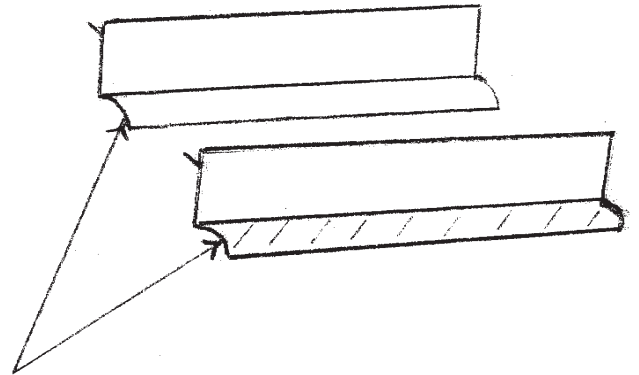
# To Drain Water Across The Footing

1. One channel per wall or 20-foot span to the stone.

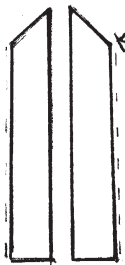
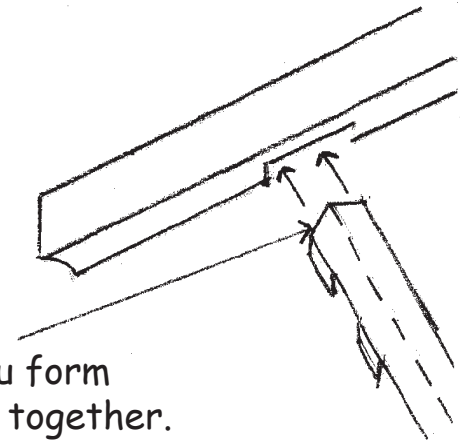
2. Cut a 6" wide X approx.  $\frac{3}{4}$ " high notch into radius.



3. Cut two pieces of CactusBoard long enough to allow water to drain past the end of the footing.



4. Cut the radius off of the pieces you just cut.



5. Cut an angle off of each piece so that you form the top of a triangle when you butt them together.

6. Then slide them into the notch till they touch the wall and still extend past the end of the footing.